



HIGH CAPABILITY HORIZONTAL
MACHINING CENTER

NHM

5000 • 6300 • 8000

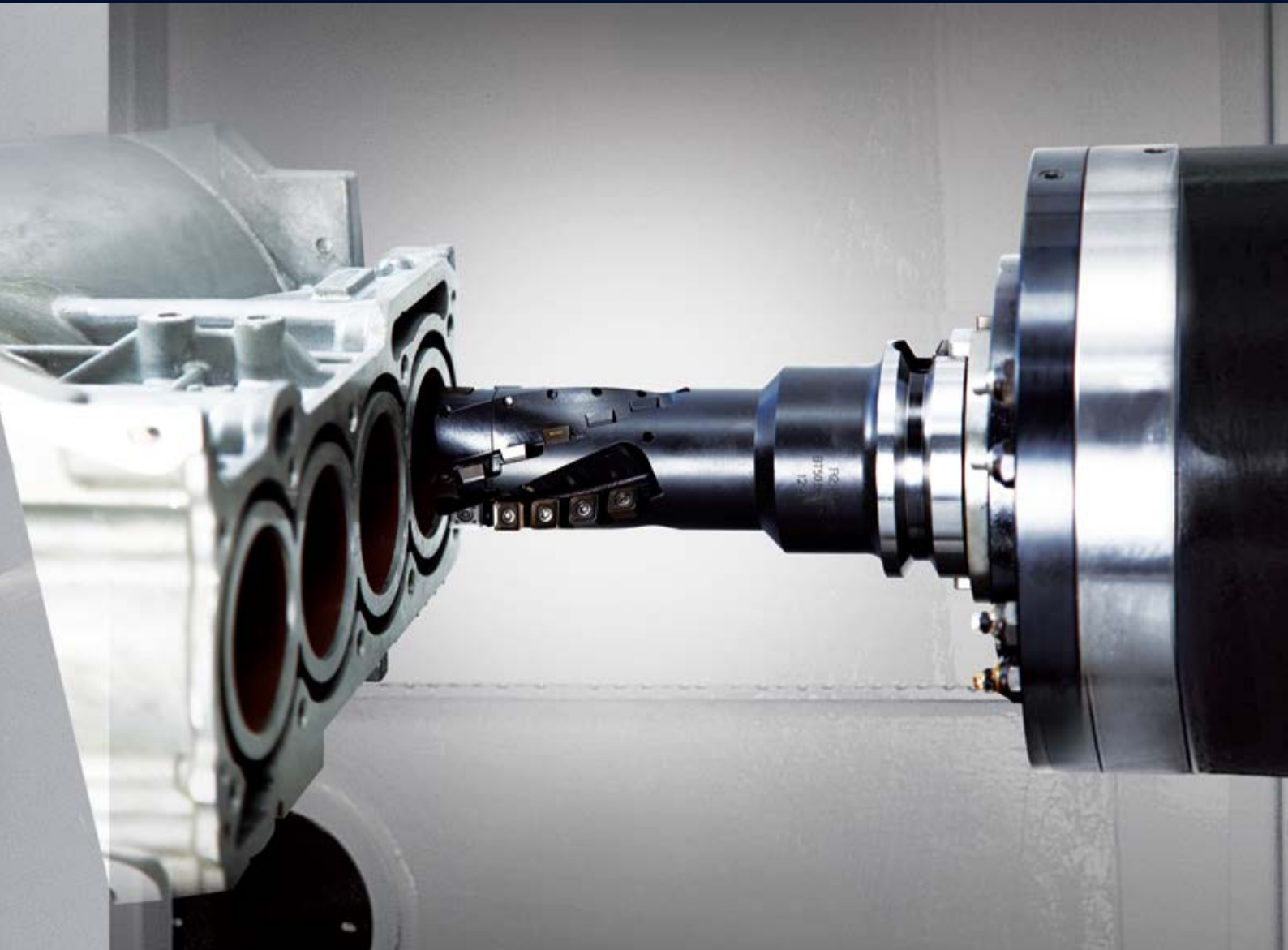


DN SOLUTIONS

NHM 5000 • 6300 • 8000

NHM Series provides the largest machining specifications and production capabilities in its class including powerful cutting capabilities for satisfying diversified needs for production of customers. The integrated structure of the box-type guideway is the optimal structure of excellent production capabilities for machining various materials from common parts to metal hard of cutting with its high rigidity capacity required for powerful cutting process. In addition, replacement speed of tools and palettes at servo motor driving for keeping non-cutting time minimal improves reliability and productivity.





HIGH RIGIDITY ONE-PIECE BED

- The high rigidity one-piece bed supports heavy duty cutting with the adoption of Finite Element Method (FEM) analysis.

HIGH PRODUCTIVITY AND RELIABILITY

- The servo-driven automatic tool changer (ATC) and automatic pallet changer improve parts durability and maintainability, leading to improved product quality. Compatibility with the pallet extension system and minimized idle time ensure even higher productivity.

USER-FRIENDLY FUNCTIONS

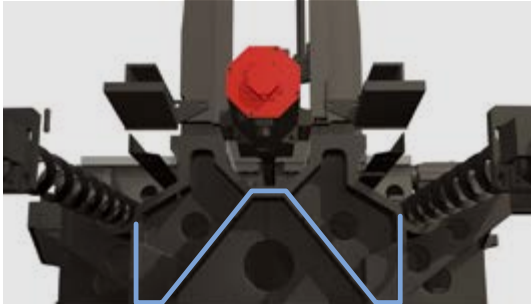
- Various new user-friendly functions have been introduced to reduce the operator's work load

BASIC STRUCTURE | TRAVEL AXIS

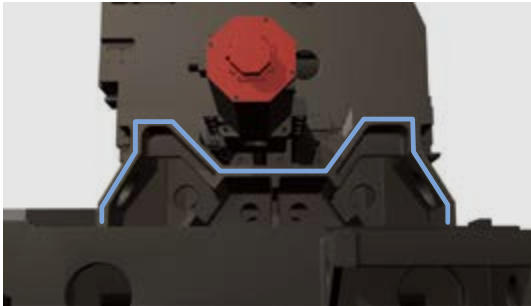
The machine of one-piece structure of the bed and the column yields high productivity.

High rigidity bed structure

NHM Series is designed for keeping high stability and durability intact through FEM technologies; the series ensures continuous powerful cutting power with the structure applied with M- and W-type ribs.



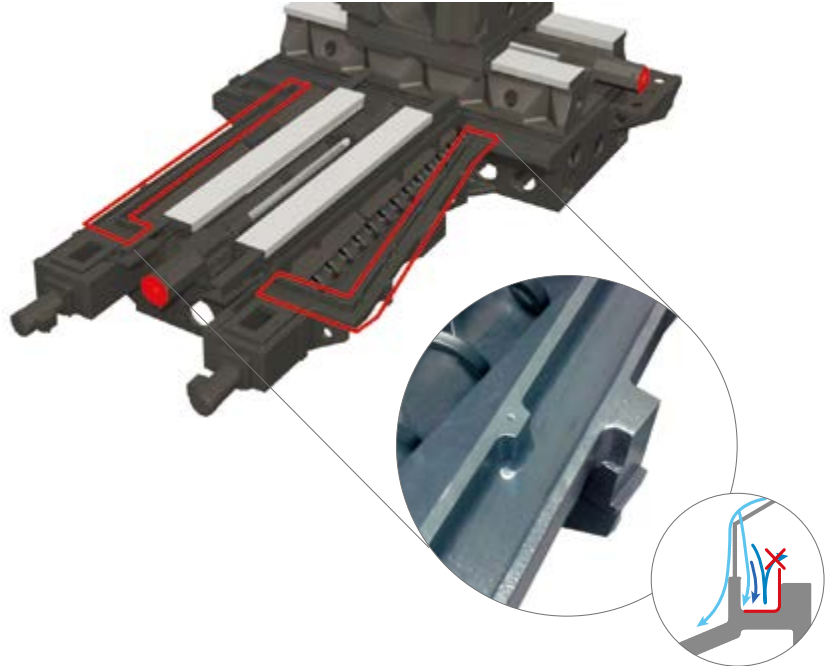
W-type rib



M-type rib

Double-wall configuration

The main body of the system is designed in double wall structure for preventing leak of cutting oil: This design allows easy maintenance and improves productivity as well.

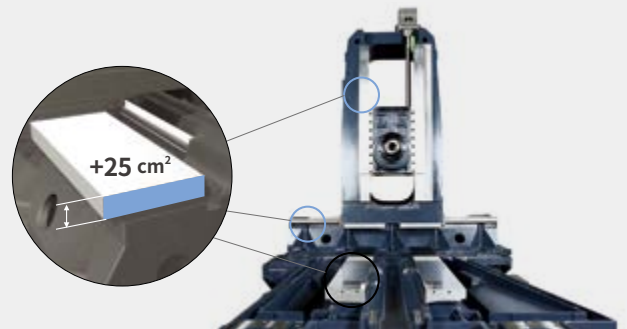


Strong feed axis structure

The extended box-type guideways are applied to all of the axes for providing higher rigidity, and the optimal dynamic rigidity of the main sliding parts further improve capabilities of strong cutting.

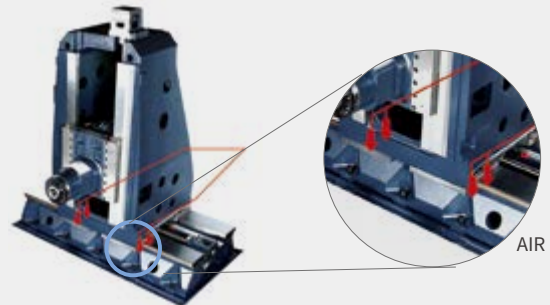
Area of guideway

28% ↑



Half-floating air structure of feed system

The half-floating air structure mitigates friction resistance during feed along the X axis resulted from the mass of the spindle and the column for improving accuracy of positioning and repeatability.

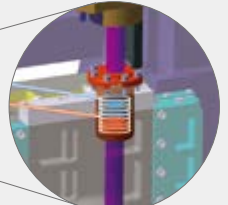


Powerful ball screw and thermal displacement control

The 3-row bearing applied with the rigid coupling keeps precision and rigidity for individual axes high, and high accuracy is implemented by controlling thermal displacement by the ball screw locking devices and the nut cooling system on the all of the axes.



Ball Screw



Nut Cooling

SPINDLE

The high power gear-driven spindle of NHM Series yields excellent rigidity for diverse materials.

Powerful spindle

Designed to minimize vibration and thermal error while offering rapid acceleration and deceleration, the spindle guarantees excellent cutting performance from steel to nonferrous metal parts



Max. spindle speed

NHM 5000 / NHM 6300 / NHM 8000

6000 r/min

Max. spindle motor power

NHM 5000

15 / 25 kW 20.1 / 33.5 Hp

NHM 6300 / NHM 8000

22 / 35 kW 29.5 / 46.9 Hp

Max. spindle motor torque

NHM 5000

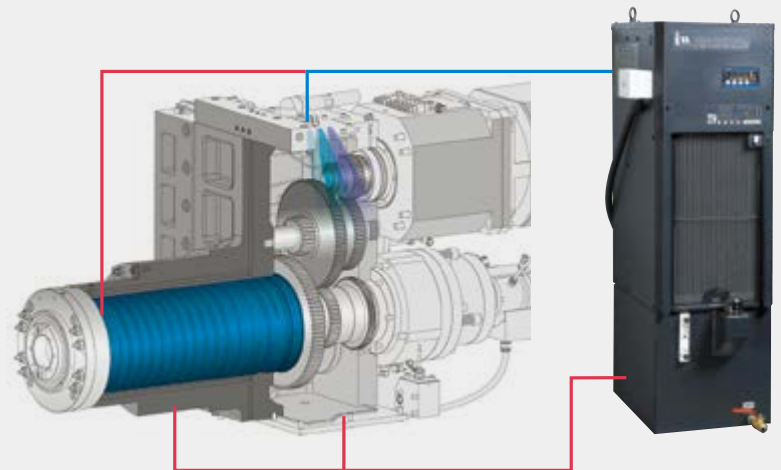
1034 N·m 25.8 ft-lb

NHM 6300 / NHM 8000

1732 N·m 1277.5 ft-lb

Spindle cooling system

The spindle temperature is kept uniform by the cooling system. The temperature sensor controls temperature of the jacket surrounding the spindle as well as the temperature of oil circulating about the spindle bearing, the gear and the motor flange for ensuring stable and precise machining.



Dual contact tool system

Tool rigidity is enhanced by the firm clamping of the spindle. Tool lifecycle and cut-surface roughness have been improved as a result of the reduced vibration realized by the dual contact spindle.

Tool type

ISO #50



AUTOMATIC PALLET CHANGER (APC)

The servo-driven APC boasts high reliability with its stable, accurate performance and reduced rejection ratio.

Improved pallet and APC system

The servo-driven APC system realizes increased productivity with fast and accurate pallet change. In addition to its excellent reliability, the improved APC has more space for the operator's convenience.

Pallet change time

NHM 5000

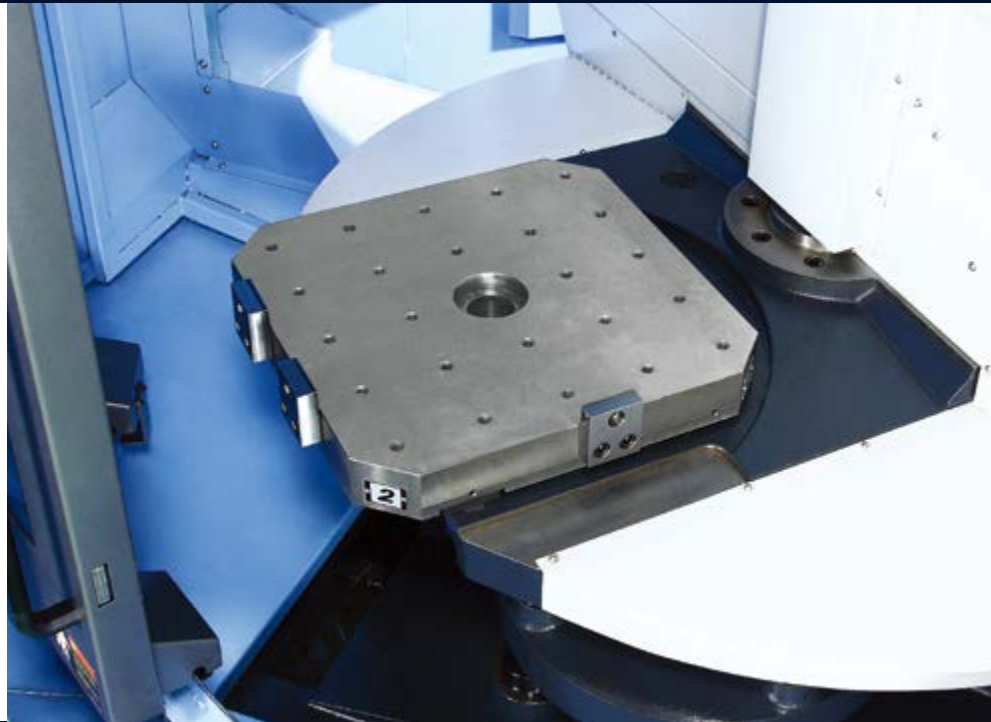
8.5 s

NHM 6300

12 s

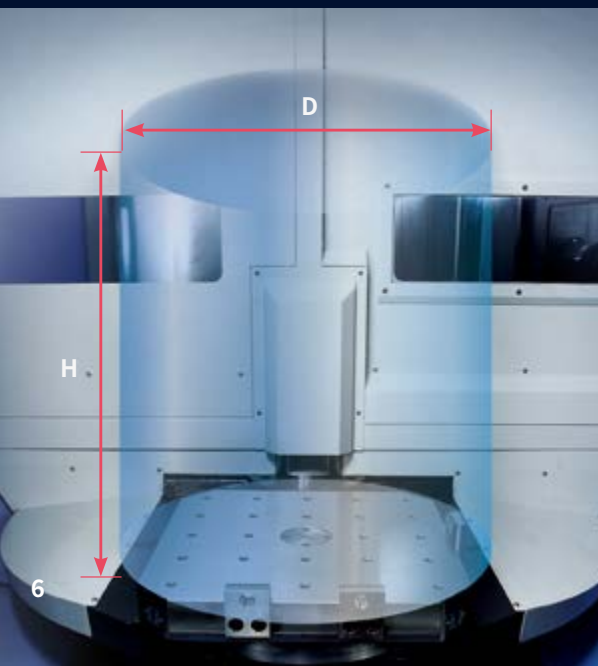
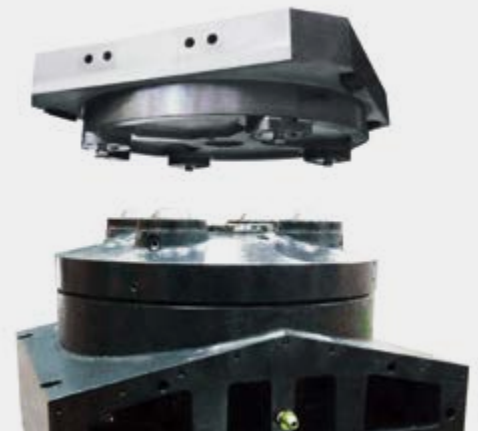
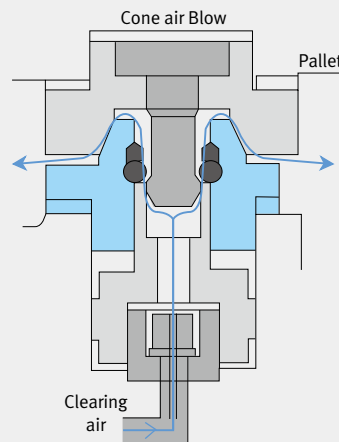
NHM 8000

16 s



Cone air blower

As a mechanism designed for precise pallet position repeatability, the cone air blower injects high-pressure air into the table fixing pin connecting the table and the pallet in order to remove chips from the pin and guaranteeing them seating at the correct positioning of the workpiece.



Max. Workpiece Size

The NHM Series provides more space for heavier and larger workpieces.

Max. workpiece size (D X H)		
NHM 5000	mm (inch)	Ø 850 x 1100 (33.5 x 43.3)
NHM 6300	mm (inch)	Ø 1050 x 1350 (41.3 x 53.1)
NHM 8000	mm (inch)	Ø 1450 x 1550 (57.1 x 61.0)
Max. workpiece weight (W)		
NHM 5000	kg (lb)	800 (1763.7)
NHM 6300	kg (lb)	1200 (2645.5)
NHM 8000	kg (lb)	2000 (4409.2)

CUTTING PERFORMANCE

The NHM Series realizes excellent machining performance thanks to its improved structure and comprehensive tooling system.

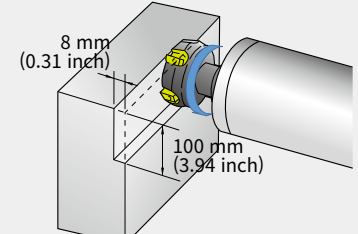
High cutting power

High-rigidity machining can be carried out with precision accuracy and diverse functions.

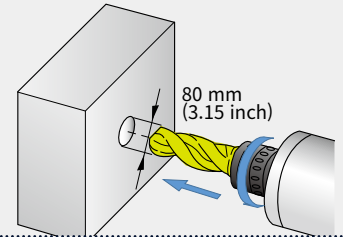
NHM 5000

(Motor power : 25 / 15 kW (33.5 / 20.1 Hp))

Face mill Carbon steel (SM45C)		
ø125mm (3.94 inch) Face mill (8Z)		
Machining rate cm ³ /min (in ³ /min)	Spindle speed r/min	Feedrate mm/min (ipm)
740 (452)	500	925 (36.4)



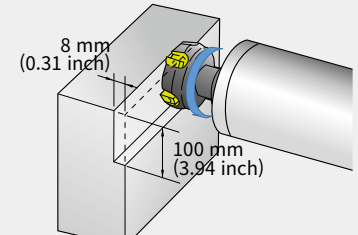
End mill Carbon steel (SM45C)		
ø80mm (3.15 inch) U-Drill (2Z)		
Machining rate cm ³ /min (in ³ /min)	Spindle speed r/min	Feedrate mm/min (ipm)
465 (28.4)	600	92.5 (3.6)



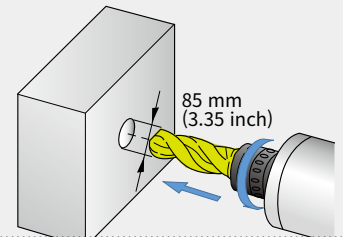
NHM 6300 / 8000

(Motor power : 35 / 22 kW (29.5 / 16.9 Hp))

Face mill Carbon steel (SM45C)		
ø125mm (4.9 inch) (Face mill (8Z)		
Machining rate cm ³ /min (in ³ /min)	Spindle speed r/min	Feedrate mm/min (ipm)
1045 (85.7)	564	1759 (69.3)



End mill Carbon steel (SM45C)		
ø85mm (3.35 inch) U-Drill (2Z)		
Machining rate cm ³ /min (in ³ /min)	Spindle speed r/min	Feedrate mm/min (ipm)
767 (46.8)	674	135 (5.3)



* The results, indicated in this catalogue are provides as example. They may not be obtained due to differences in cutting conditions and environmental conditions during measurement.

Productivity

High Productivity

10 % Down

- Component of automobile : Carrier middle
- Material : Cast iron
- No. of tools : 21

Cycle time

Previous Model	2333 s
NHM series	2110 s ← 223 s



MAGAZINE

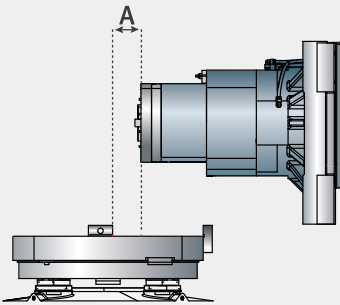
The servo-driven ATC provides high reliability and reduces tool change time.



Servo-driven ATC

The ATC is capable of handling weight from 25kg to 30kg at high speed using a servo motor, and fast tool indexing and spindle positioning.

Max. tool diameter x max. tool length			
Model	Unit	BT/CT/DIN	HSK
NHM 5000	mm (inch)	320 x 530 (12.6 x 20.8)	320 x 600 (12.6 x 23.6)
NHM 6300	mm (inch)	320 x 630 (12.6 x 24.8)	320 x 700 (12.6 x 27.6)
NHM 8000	mm (inch)	320 x 630 (12.6 x 24.8)	320 x 700 (12.6 x 27.6)
Tool change time (tool weight of less than 12 kg (26.5 lb))			
Model	Unit	Tool to tool	Chip to chip
NHM 5000	s	2 s	6.4 s
NHM 6300	s		6.7 s
NHM 8000	s		8 s



Convenient short tool cutting

The distance between the spindle and the center of the pallet has been reduced for heavier-duty cutting with shorter tools.

Features

- Increased tool rigidity with a larger diameter
- Innovative improvement of ATC repeatability
- Minimal Z axis displacement at high speed
- Increased tool service life

Tool magazine for diverse types of tools, including chain and matrix tool types

The NHM Series provides 60 tools as a standard feature, and up to 376 tools as an option.

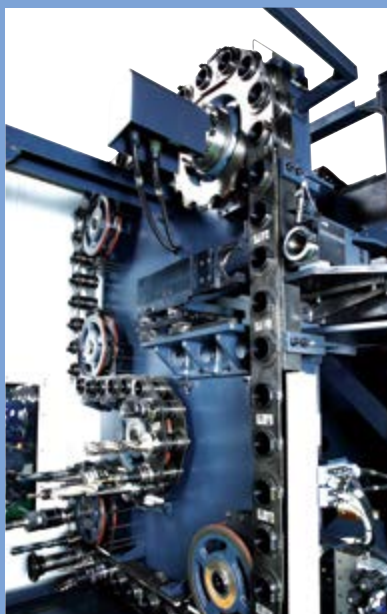
Chain type magazine

60 ea

90 ea option

120 ea option

150 ea option



Matrix type magazine option

196 ea

256 ea

316 ea

376 ea




STANDARD | OPTIONAL SPECIFICATIONS

A range of options is available to suit individual requirements.

Description	Features	NHM 5000	NHM 6300	NHM 8000	
Tool magazine (No. of tool stations)	60 ea	●	●	●	
	90 ea	○	○	○	
	120 ea	○	○	○	
	150 ea	○	○	○	
Type of tool shank	BT50	●	●	●	
	CAT50	○	○	○	
	DIN50	○	○	○	
	HSK A-100	○	○	○	
Mist collector	Mist collector	○	○	○	
Spindle	6000 r/min	15 / 25 kW (20.1 / 33.5 Hp)	●		
		22 / 35 kW (29.5 / 46.9 Hp)		●	
	8000 r/min	30 / 37 kW (40.2 / 49.6 Hp)	○	○	○
Hydraulic fixtures	Hydraulic fixture line	2X2	○	○	○
		4X4	○	○	○
		6X6	○	○	○
		8X8	○	○	○
	Hydraulic fixture unit	○	○	○	
Automatic workpiece measurement device	OMP60_RENISHAW	○	○	○	
	RMP60_RENISHAW	○	○	○	
Auto tool measuring device	BK MIKRO	○	○	○	
	NEEDLE SWING TYPE	○	○	○	
	OMRON (Limit Switch Type)	○	○	○	
	TS27R	○	○	○	
	NC 4	○	○	○	
Accuracy	Linear scale (X-axis)	○	○	○	
	Linear scale (Y-axis)	○	○	○	
	Linear scale (Z-axis)	○	○	○	
Chip Handling System	Chip conveyor	HINGED Type	○	○	○
		SCRAPER Type	○	○	○
		DRUM Type	○	○	○
	Chip bucket	○	○	○	
Coolant	FLOOD	●	●	●	
	FLUSHING	●	●	●	
	SHOWER	○	○	○	
	TSC	1.5 kW 2.0 MPA (2 Hp 290 psi)	○	○	○
		3.0 kW 3.0 MPA (4 Hp 435.1 psi)	○	○	○
		7.5 kW 7.0 MPA (10 Hp 1015.3 psi)	○	○	○
	Coolant gun	○	○	○	
	Oil skimmer	●	●	●	
	MQL System	○	○	○	
Coolant level switch : Sensing level - Low / High**	○	○	○		
Table	Index table (1° control)	●	●	●	
	Rotary table (0.001° control)	○	○	○	
Pallet	Tap pallet	●	●	●	
	T-Slot pallet	○	○	○	
AIR	Pallet air seat	○	○	○	
	AIR GUN	○	○	○	
MPG	Portable MPG	●	●	●	

*Please contact DN Solutions to select detail specifications. ** Special Quotation.

● Standard ○ Optional X Not applicable

 Fire Safety Precautions | There is a high risk of fire when using non-water-soluble cutting fluids, processing flammable materials, neglecting the controlled and careful use of coolants and modifying the machine without the consent of the manufacturer. Always check the SAFETY GUIDELINES carefully before using the machine.

PERIPHERAL EQUIPMENT

Chip conveyor option



Scraper type

Hinge type

Drum filter type

Measurement systems



Auto tool damage detection device I (BK 9) option



Auto tool damage detection device II (OMRON) option



Automatic tool measuring device (TS 27R) option

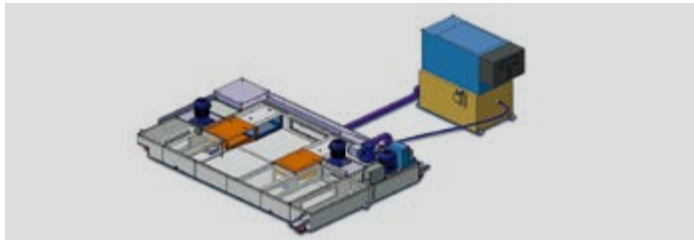
Environmentally-friendly equipment



Oil skimmer

Mist collector option

Cutting oil cooling system option



Linear scale feedback system option



Chip disposal system



Flushing coolant



Flood coolant



Shower coolant option



Coolant gun option



Coolant spray gun on the spindle head



Screw conveyor



MQL system option Misting device



Spindle-through coolant spray device option

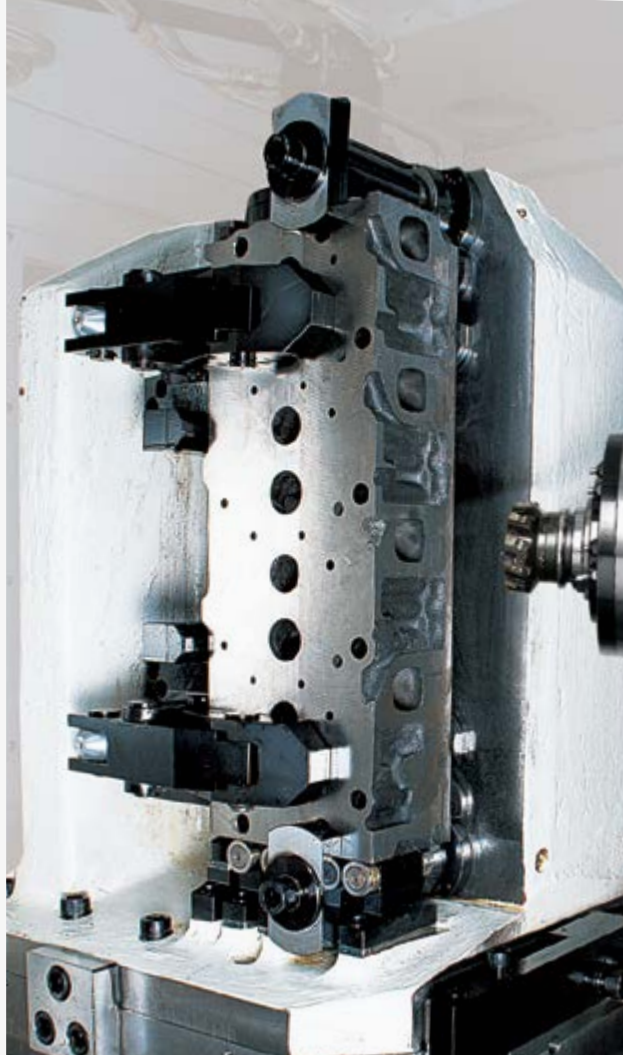
APPLICATION

We offer a wide range of solutions that can be optimized to suit our customer's needs.

Clamping fixtures

The following hydraulic and pneumatic fixture options are available for workpiece set up.

A variety of preparations for workpiece clamping fixtures
(hydraulic/pneumatic) option



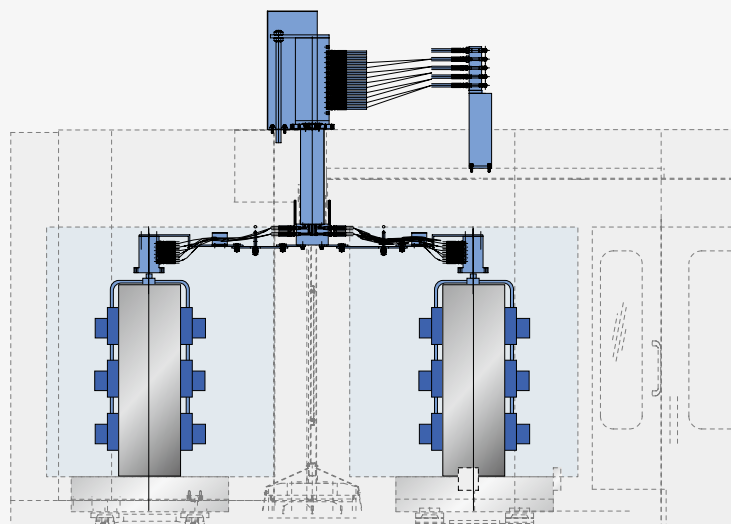
Hydraulic/pneumatic fixture pot

- A/B Line : 2, 4, 6, 8 Pairs
(Including solenoid valve)
- P/T Line : 2, 4, 6, 8 Pairs
(Excluding solenoid valve)

Clamping fixture hydraulic motor

- 2.2 kW(3.0 HP) / 7MPa
- 3.7 kW(5.0 HP) / 15MPa
- 5.5 kW(7.4 HP) / 21MPa
- 3.7 kW / 15MPa
- 5.5 kW / 21MPa

※ Please provide us with detailed specifications on the order sheet.



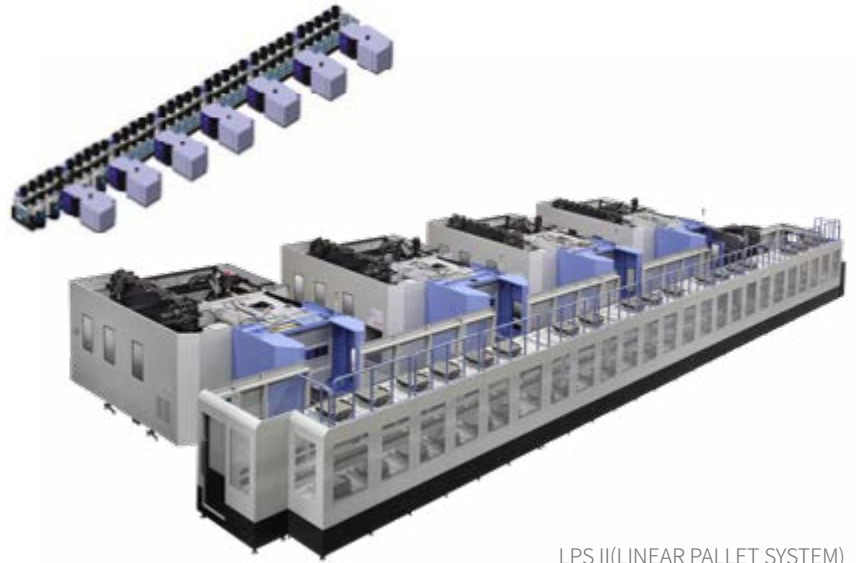
MULTI-PALLET SYSTEMS

DN Solutions's linear pallet system (LPS) and multipallet system (RPS) provides users with maximized productivity, rapid installation and commissioning, and easy maintainability.

Linear pallet system [LPS II]

option

Designed to provide users with an optimised system, the LPSII linear pallet systems designed and constructed by DN Solutions, offering outstanding flexibility, including system extension and layout change.



LPS II(LINEAR PALLET SYSTEM)

LPS II Model	LPS 500 II	LPS 630 II	LPS 800 II
Available Model	NHM 5000	NHM 6300	NHM 8000
Forking type	Twin Fork type		
No. of machines	1 - 7		
No. of setup stations	1 - 4		
No. of pallets	12 ~ 70	10 ~ 70	8 ~ 70
Dimensions (L x W)	7824 x 2400 mm (308.0 X 94.5 inch)	7904 x 785 mm (311.2 X 30.9 inch)	8952 x 3500 mm (352.4 X 137.8 inch)

LPS standard control software

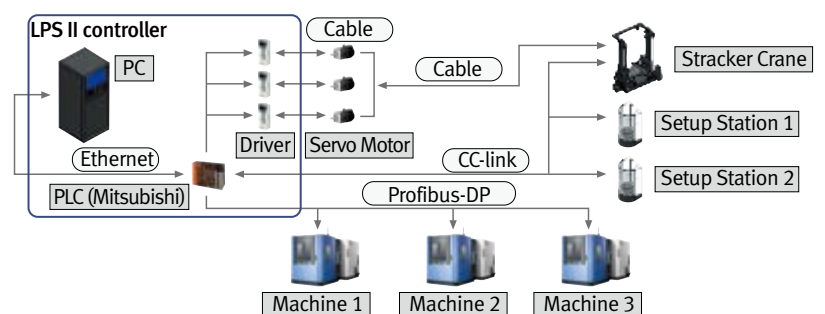
- Easily-storable basic information for flexible production.
- Platform management software for rapid production and changes in quantity.
- LPS management solution for fast and flexible production and sudden changes in quantity.

Production management system [DPMS]

The DPMS is an operating system designed to ensure effective control and management of the LPS. The main window provides a solution that enables a flexible and rapid response to changes in output.



System outline



Features

- Easy for system extension
- Sufficient workpiece space for high level of work efficiency
- Stable and efficient system operation
- Faster installation and commissioning
- Applicable to all HMC Series machines
- Excellent maintainability

MULTI-PALLET SYSTEMS

Round pallet system [RPS]

option

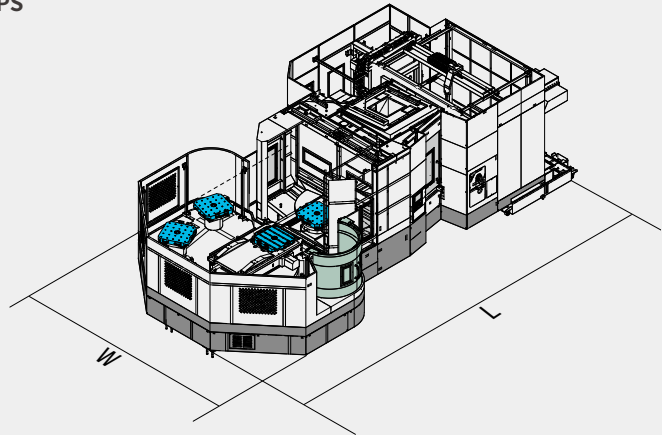
Compared with standard machines that use 2-pallet type APCs, the RPS can automatically handle 7 to 9 pallets for an extended period. This function enables small quantity batch production using machining scheduling.

The DPMS is an operating system for effective control and management of the RPS. The functions of the DPMS include scheduled operation, data input, and setting change.

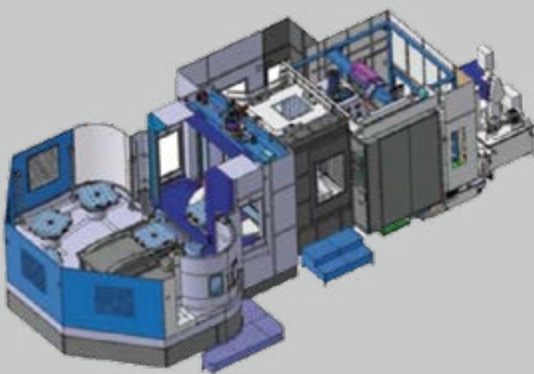
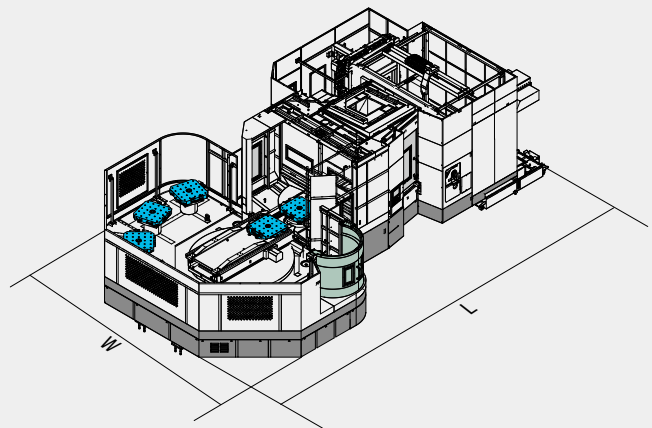


ROUND PALLET SYSTEM

7 RPS



9 RPS



System Options

	Unit	NHM 5000		NHM 6300		NHM 8000	
		7- RPS	9- RPS	7- RPS	9- RPS	7- RPS	9- RPS
No. of pallets	pcs.	7	9	7	9	7	9
Foot print (Length)	mm (inch)	9490 (373.6)	10140 (399.2)	10560 (415.7)	11000 (433.1)	16010 (630.3)	17150 (675.2)
Foot print (Width)	mm (inch)	4220 (166.1)	4430 (174.4)	4780(188.2)	5770 (227.2)	5920 (233.1)	6600 (259.8)

* Chip conveyor and RPS foot board are excluded.

FANUC 31i/32i PLUS

Fanuc 31i/32i Plus maximizes customer productivity and convenience.

15" Touch screen + New OP

DN Solutions Fanuc 31iB/B5 Plus' operation panel enhances operating convenience by incorporating common-design buttons and layout. It features a Qwerty keyboard for fast and easy data input and operation.

Fanuc 31i/32i Plus

- 15-inch color display
- Intuitive and user-friendly design

USB and PCMCIA card QWERTY keyboard

- EZ-Guide i standard
- Ergonomic operator panel
- 4MB Memory
- Hot keys
- Enhance AICC BLOCK
- Touch pen provided as standard



iHMI touchscreen

iHMI provides an intuitive interface that uses a touchscreen for quick and easy operation.

Range of applications

Providing various applications related to planning, machining, improvement and utility, for customer convenience.

NUMERIC CONTROL SPECIFICATIONS

FANUC

	Item	Specifications	F31iB PLUS
			NHM
Controlled axis	Controlled axes		4 (X,Y,Z,B)
	Simultaneously controlled axes		4 axes
	Additional controlled Axis	Add 1 Axis (5th Axis)	●
Data input/output	Fast data server		○
	Memory card input/output		●
	USB memory input/output		●
	Large capacity memory(2GB)*2	Note *2) Available Option only with 15" Touch LCD (iHMI Only)	○
Interface function	Embedded Ethernet		●
	Fast Ethernet		○
	Enhanced Embedded Ethernet function		●
Operation	DNC operation	Included in RS232C interface.	●
	DNC operation with memory card		●
Program input	Workpiece coordinate system	G52 - G59	●
	Addition of workpiece coordinate system	G54.1 P1 X 48 (48 pairs)	●
	Tool number command		T4 digits
Feed function	Tilted working plane indexing command	G68.2 TWP	○
	AI contour control I	G5.1 Q_ , 40 Blocks	X
	AI contour control II	G5.1 Q_ , 200 Blocks	X
	AI contour control II	G5.1 Q_ , 600 Blocks	●*
	AI contour control II	G5.1 Q_ , 1000 Blocks	○*
Operation Guidance Function	High smooth TCP		X
	EZ Guidei (Conversational Programming Solution)		●
	iHMI with Machining Cycle	Note *1) Only with 15" Touch LCD standard	●
Setting and display	EZ Operation package		●
	CNC screen dual display function		●
Network	FANUC MT Connect		⊕
	FANUC OPC UA		⊕
Others	Display unit	15" color LCD	X
		15" color LCD with Touch Panel	●
		640M(256KB) _500 programs	X
		1280M(512KB) _1000 programs	X
		2560M(1MB) _1000 programs	X
		5120M(2MB) _1000 programs	X
		10240M(4MB) _1000 programs	●
		20480M(8MB) _1000 programs	○
		2560M(1MB) _2000 programs	○
		5120M(2MB) _4000 programs	○
		10240M(4MB) _4000 programs	○
		20480M(8MB) _4000 programs	○

EZ WORK

The software developed by DN Solutions features numerous functions designed for convenience and ease of operation.

EZ work

The EZ work package delivers speed and efficiency. This menu-driven innovation not only helps customers reduce setup times, but also simplifies common tasks and procedures, reducing the potential for errors. EZ work reduces operating time, protects machinery, enhances quality and speeds up maintenance interventions.

Tool support functions



Tool management I

- Tool magazine control
- Tool state display
- Fastems Tool Add/Remove Function

option



Tool management II *option*

- Tool magazine control
- Tool life management
- Tool life prediction
- Tool state control
- Balluff Tool ID function



Tool load monitor *option*

- Detection of tool damage
- Detection of abnormalities during operation
- Detection of no-load air cutting

Productivity improvement functions



Adaptive Feed Control

Function to control feedrate so that the cutting can be carried out at a constant load



APC Setting Screen

A simple automation function that supports automatic processing of the next pallet by setting the processing program for each pallet of the equipment including APC in advance



PMC Soft Panel Switch

Manual operations that occur continuously in each stages for APC,ATC change command

Operation support, Help desk functions



Operation rate

- Measure various machine operating rate
- Support 3 shift operation
- calculate and save 30 days operating rate
- Show data for a specific period



Pattern Cycle

A function to automatically create frequently used part programs.



Renishaw GUI

Renishaw tool length measuring and compensate function



Spindle Warm Up

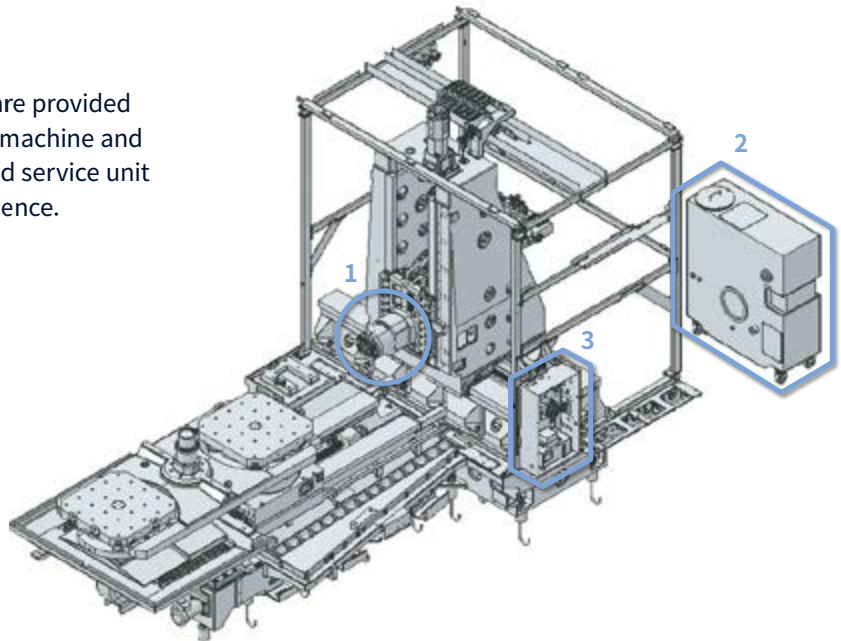
A function that assists spindle warm-up for spindle life when the spindle has not been used for a certain period of time

CONVENIENT OPERATION

Ergonomic design guarantees users' convenience and safety.

User-oriented design

Internal footings and an anti-door-lock function are provided to prevent the operator from being locked in the machine and to guarantee the operator's safety. The centralized service unit and screen panel enhance the operator's convenience.



1.
Flushing system to remove chips from the spindle top and slide cover.



2.
Coolant through spindle function for enhanced productivity option



3.
Centralized utility service unit

The utilities service unit is centralized for convenient maintainability.



ATC screen panel provides easy tool data entry at the tool magazine area



Safety has been improved with machine internal footings



Anti-door lock device



User Convenience

Swiveling Operating Panel

The operating panel can swivel by 90°, and displays various alarm messages concerning machine and controller error, enhancing the operator's convenience.



Portable MPG

The portable MPG allows the user to set up workpieces more easily.



PCMCIA Card

The PCMCIA card enables uploading and downloading of the NC program, NC parameters, tool information, and ladder programs, and also supports DNC operation.

USB Port

Upload/download of NC software programs, NC parameters, tool information and ladder program using a USB drive is allowed, but DNC operation is not supported.

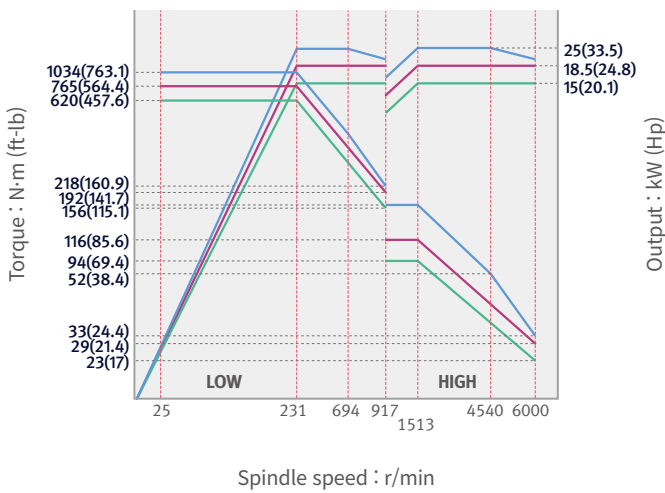


POWER | TORQUE

NHM 5000

Spindle Speed : 6000 r/min

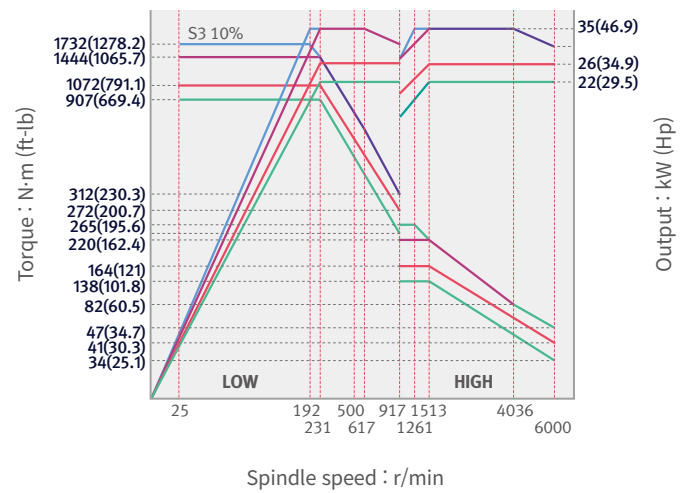
Spindle Motor : 25 / 15 kW (33.5 / 20.1 Hp)



NHM 5000 option , NHM 6300 / 8000

Spindle Speed : 6000 r/min

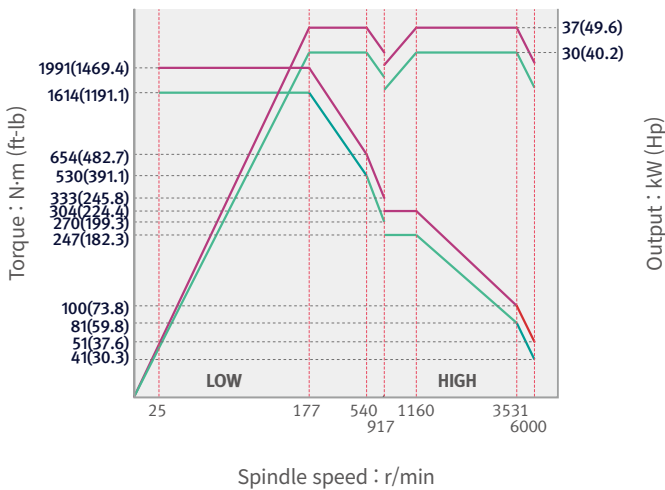
Spindle Motor : 35 / 22 kW (46.9 / 29.5 Hp)



NHM 5000 / 6300 / 8000 option

Spindle Speed : 6000 r/min

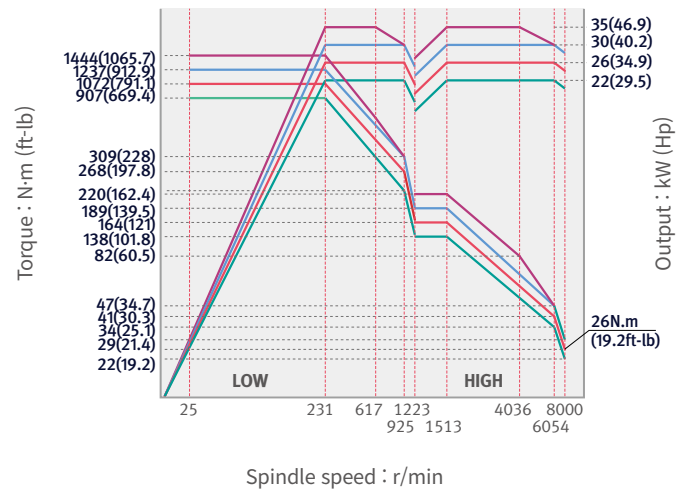
Spindle Motor : 37 / 30 kW (49.6 / 40.2 Hp)



NHM 5000 / 6300 / 8000 option

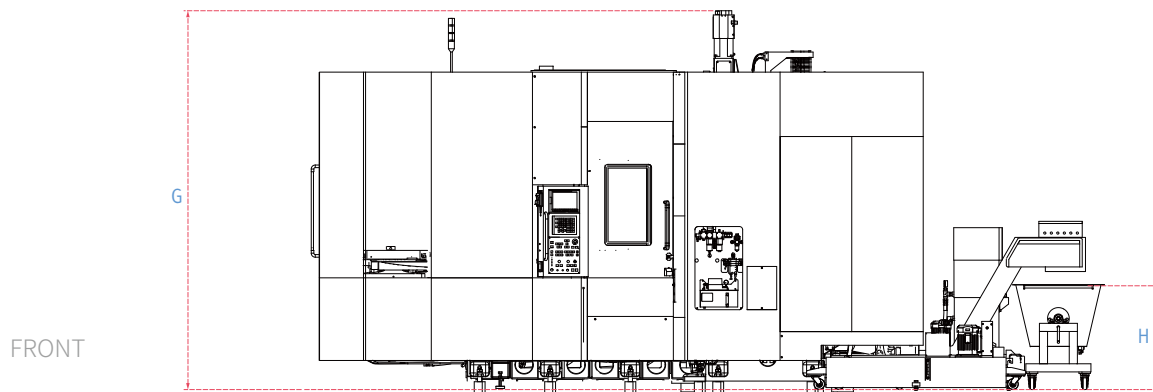
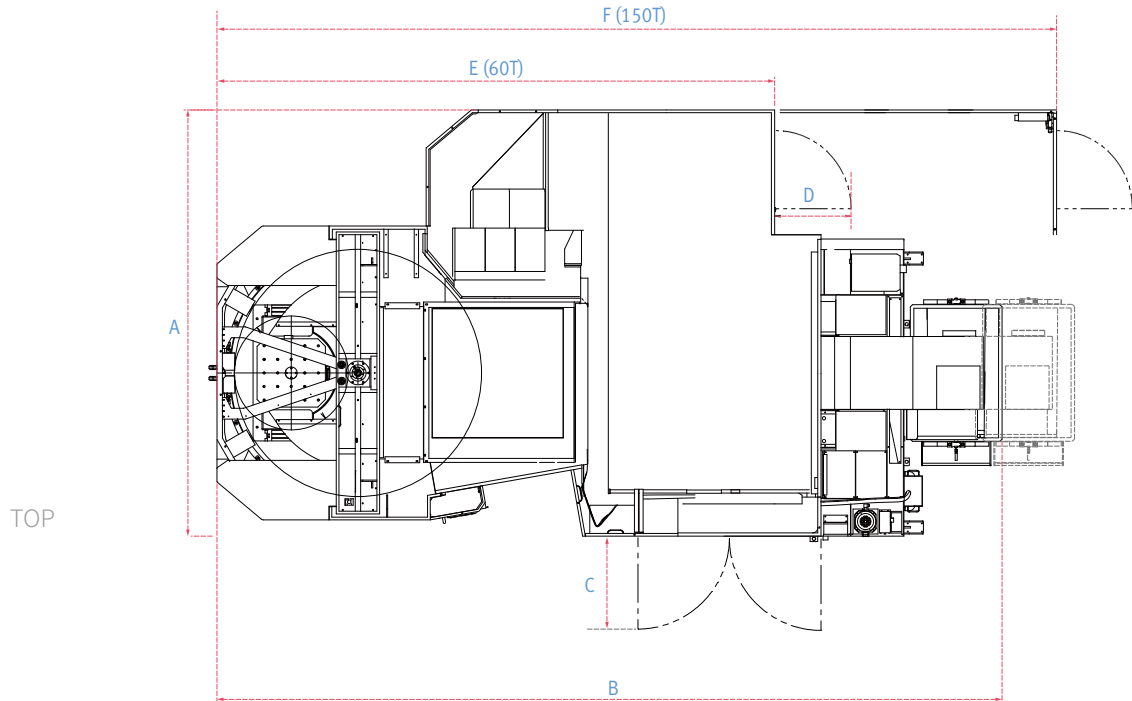
Spindle Speed : 8000 r/min

Spindle Motor : 35 / 22 kW (46.9 / 29.5 Hp)



DIMENSIONS

Units : mm (inch)



Model	A	B	C	D	E	F	G	H
NHM5000	3670 (144.5)	6830 (268.9)	660 (25.9)	745 (29.3)	4675 (184.1)	7305 (287.6)	3330 (131.1)	1085 (42.7)
NHM6300	3930 (154.7)	7300 (287.4)	660 (25.9)	745 (29.3)	5145 (202.6)	7745 (304.9)	3495 (137.6)	1085 (42.7)
NHM8000	4325 (170.3)	8265 (325.4)	660 (25.9)	745 (29.3)	6000 (236.2)	8630 (339.8)	3760 (148)	1085 (42.7)

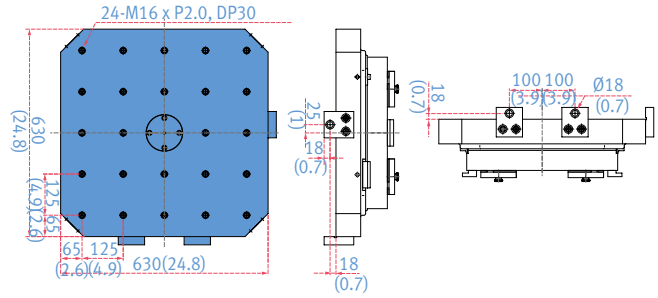
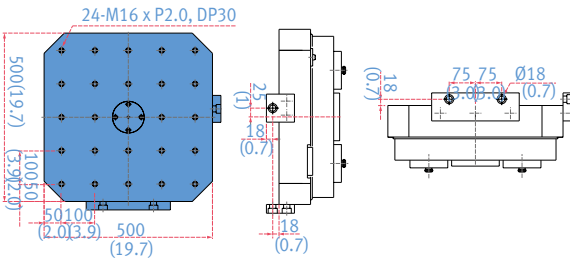
PALLET

NHM 5000

Units : mm (inch)

STANDARD SPECIFICATIONS (500 × 500(19.7X19.7))

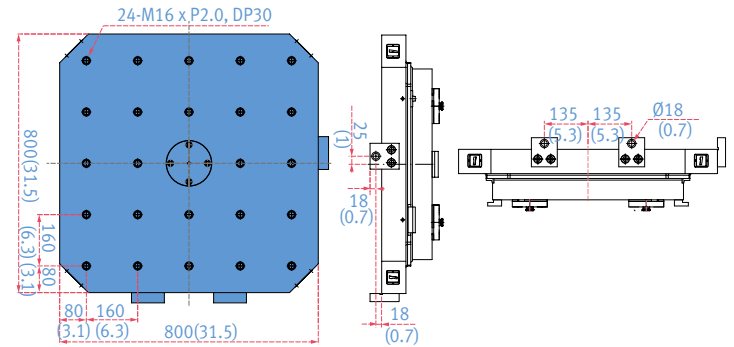
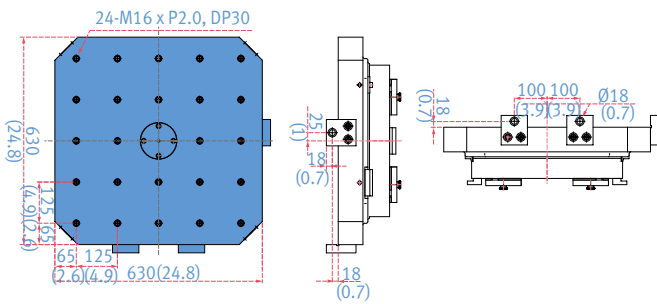
OPTIONAL SPECIFICATIONS (630 × 630(24.8X24.8))



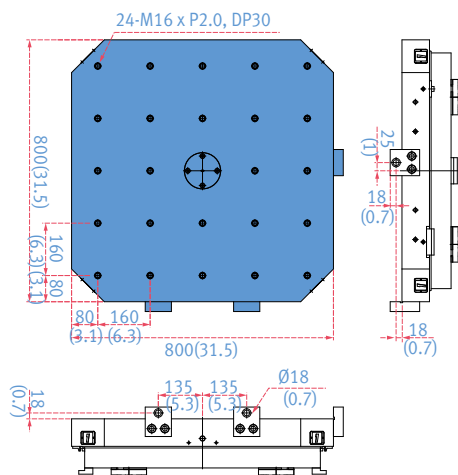
NHM 6300

STANDARD SPECIFICATIONS (630 × 630(24.8X24.8))

OPTIONAL SPECIFICATIONS (800 × 800(31.5X31.5))



NHM 8000

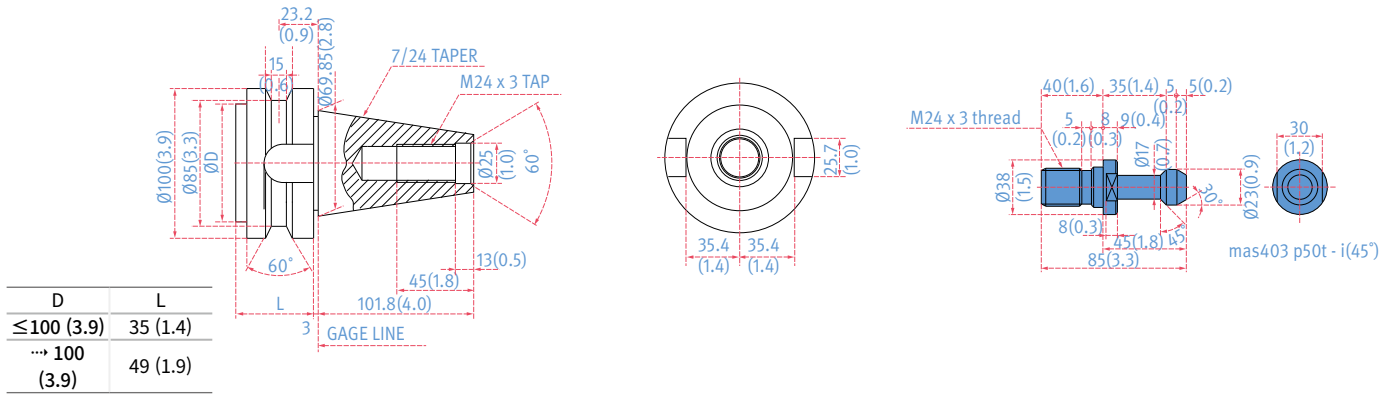


* Some peripheral equipment can be placed in other areas.

TOOL SHANK

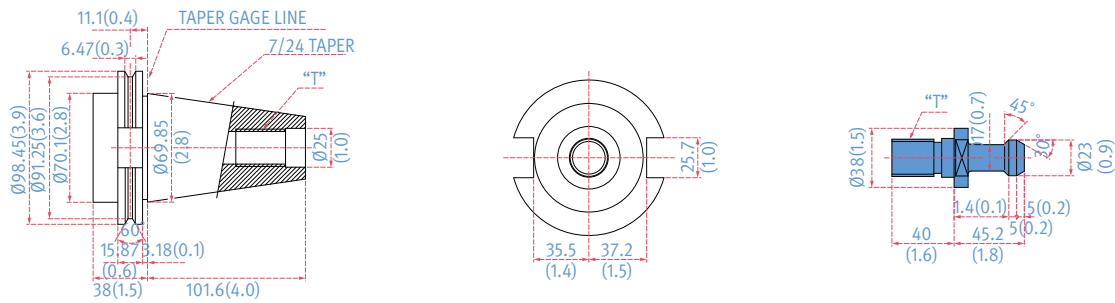
BT50

Units : mm (inch)



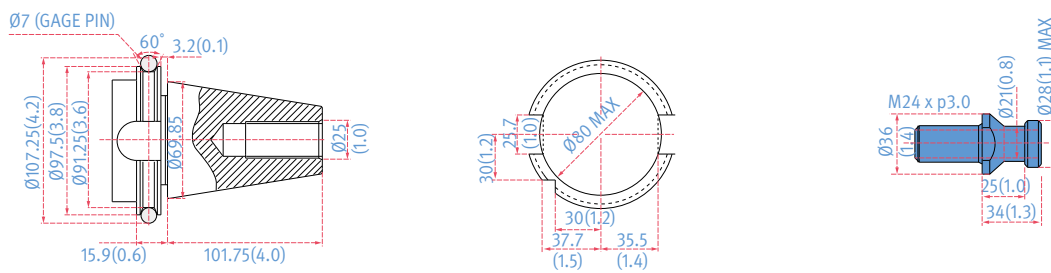
Units : mm (inch)

DIN50



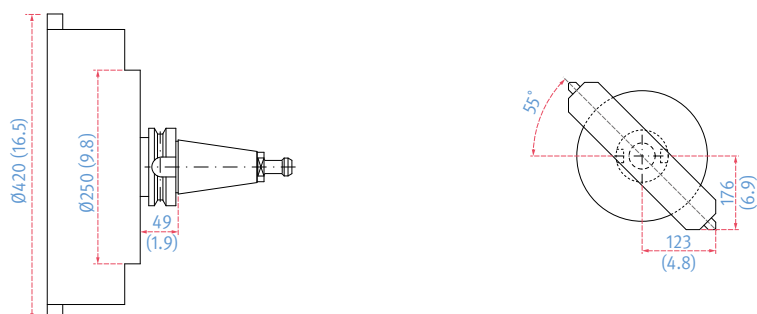
Units : mm (inch)

CAT50



Units : mm (inch)

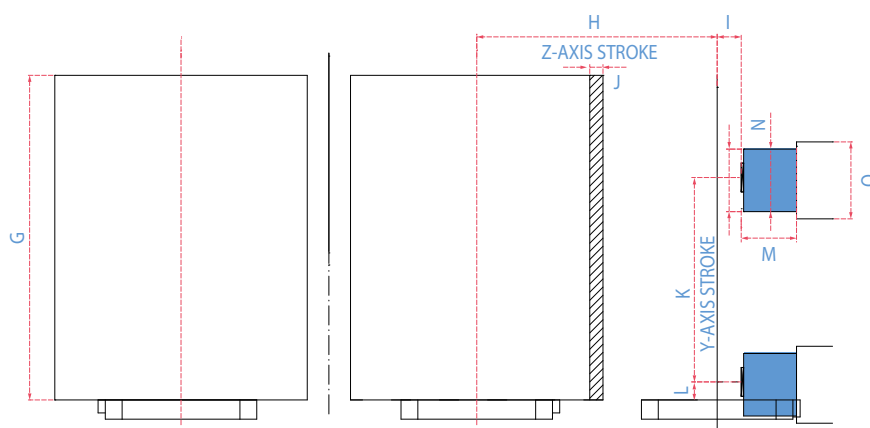
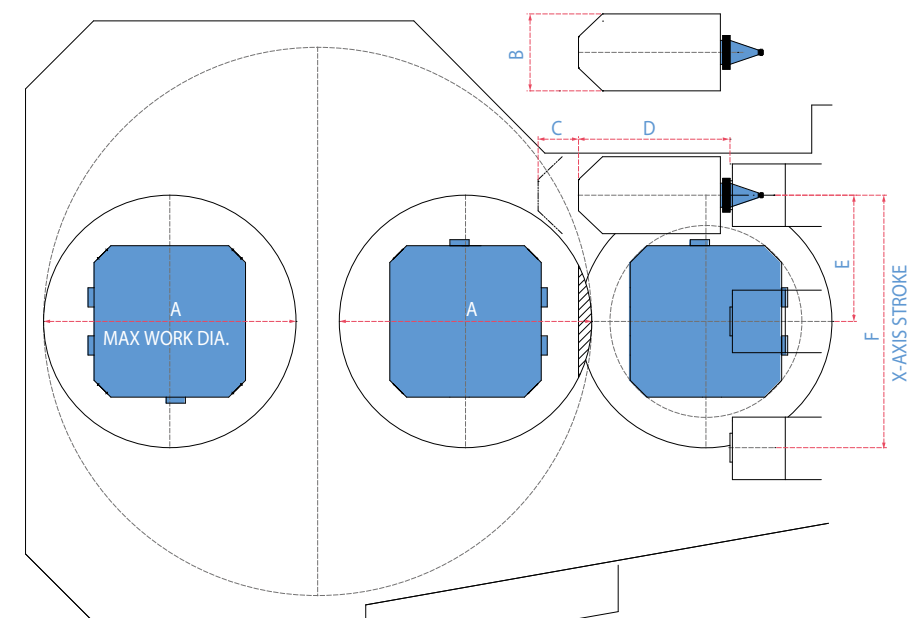
Boring bar Size



WORKING AREA

Workpiece working area

Units : mm (inch)



Model	A	B	C	D	E	F	G	H	I	J	K	L	M	N	O
NHM 5000	Ø850 (33.5)	Ø320 (12.6)	168 (6.6)	530 (20.9)	400 (15.7)	800 (31.5)	1100 (43.3)	850 (33.5)	100 (3.9)	5 (0.2)	750 (29.5)	75 (3.0)	230 (9.1)	Ø260 (10.2)	Ø320 (12.6)
NHM 6300	Ø1050 (41.3)	Ø320 (12.6)	168 (6.6)	630 (24.8)	525 (20.7)	1050 (41.3)	1350 (53.1)	1000 (39.4)	100 (3.9)	55 (2.2)	900 (35.4)	75 (3.0)	230 (9.1)	Ø260 (10.2)	Ø320 (12.6)
NHM 8000	Ø1450 (57.1)	Ø320 (12.6)	168 (6.6)	630 (24.8)	700 (27.6)	1400 (55.1)	1550 (61.0)	1200 (47.2)	150 (5.9)	5 (0.2)	1050 (41.3)	75 (3.0)	230 (9.1)	Ø260 (10.2)	Ø320 (12.6)

* Some peripheral equipment can be placed in other areas.

MACHINE SPECIFICATIONS

Description			Unit	NHM 5000	NHM 6300	NHM 8000
Cutting Capacity	Travel distance	X-axis	mm (inch)	800 (31.5)	1050 (41.3)	1400 (55.1)
		Y-axis	mm (inch)	700 (27.6)	850 (33.5)	1050 (41.3)
		Z-axis	mm (inch)	850 (33.5)	1000 (39.4)	1200 (47.2)
	Distance from spindle nose to table center		mm (inch)	100 ~ 950 (3.9 ~ 37.4)	100 ~ 1100 (3.9 ~ 43.3)	150 ~ 1350 (5.9 ~ 53.1)
	Distance from spindle center to table top		mm (inch)	75 ~ 775 (2.9 ~ 30.5)	75 ~ 925 (2.9 ~ 36.4)	75 ~ 1125 (2.9 ~ 44.3)
Feed Rate	Rapid feed rate	X-axis	m/min (ipm)	30 (1181.1)		24 (944.9)
		Y-axis	m/min (ipm)	30 (1181.1)		24 (944.9)
		Z-axis	m/min (ipm)	30 (1181.1)		24 (944.9)
	Cutting feed rate		mm/min (ipm)	15000 (590.6)		12000 (472.4)
Pallet	Pallet type			24-M16 × P2.0		
	Pallet indexing angle		deg	1 {0.001}		
	Max. loading capacity		kg (lb)	800 (1763.7)	1200 (2645.5)	2000 (4409.2)
	Max. workpiece size		mm (inch)	Ø 850 x 1100 (Ø 33.5 / 43.3)	Ø 1050 x 1350 (Ø 41.3 / 53.1)	Ø 1450 x 1550 (Ø 57.1 / 61)
	Pallet size		mm (inch)	500 x 500 (19.7 x 19.7)	630 x 630 (24.8 x 24.8)	800 x 800 (31.5 x 31.5)
Spindle	Max spindle speed		r/min	6000 {8000}		
	Taper specifications			ISO #50, 7/24 TAPER		
	Max. torque		N·m (ft·lb)	1034 {1444} (368.8 {1065})	1732 {1444} (1277.5 {1065})	
Auto Pallet Changer (APC)	No. of pallets		ea	2		
	Pallet change time		s	8.5	12	16
	APC indexing angle (rotation)		deg	90		
Automatic Tool Changer (ATC)	Tool shank type			BT50 {CAT50 / DIN50 / HSK-A100}		
	Tool storage capacity	Chain type	ea	60 {90 / 120 / 150}		
		Matrix type	ea	{196 / 256 / 316 / 376}		
	Max. tool diameter	W/O adjacent tool	mm (inch)	320 (12.6)		
		With adjacent tool	mm (inch)	130 (5.1)		
	Max. tool length		mm (inch)	530 (20.8) (BT / CAT / DIN), 600 (HSK)	630 (24.8) (BT / CAT / DIN), 700 (HSK)	630 (24.8) (BT / CAT / DIN), 700 (HSK)
	Max. tool weight		kg (lb)	30 (66)		
	Max. tool moment		N·m (ft·lbs)	34.3 (25.3)		
	Tool change time (tool to tool, tools weighing less than 12kg(26.5lb))		s	2		
	Tool change time (chip-to-chip, tools weighing less than 12kg(26.5lb))		s	6.4	6.7	8
Motor	Spindle motor power		kW (Hp)	25 / 15 {35 / 22} (33.5 / 20.1 {46.9 / 29.5})	35 / 22 (46.9 / 29.5)	
Power Source	Power consumption		kVA	60	70	
	Compressed air pressure		Mpa (psi)	0.54 (78.3)		
Tank Capacity	Coolant tank capacity		L (gallon)	825 (217.9)	925 (244.4)	
	Lubricant tank capacity		L (gallon)	7.2 (1.9)		
Machine Dimensions	Height		mm (inch)	3330 (131.1)	3495 (137.6)	3760 (148)
	Length		mm (inch)	6075 (239.2)	6522 (256.8)	7380 (290.6)
	Width		mm (inch)	3670 (144.5)	3930 (154.7)	4325 (170.3)
	Weight		kg (lb)	18500 (40785.5)	20500 (45194.8)	25500 (56217.9)

*{ } : Option

RESPONDING TO CUSTOMERS ANYTIME, ANYWHERE

DN Solutions Global Network

DN Solutions provides systems-based professional support services, before and after the machine tool sale, by responding quickly and efficiently to customers. By supplying spare parts, product training, field service and technical support, we provide the expert care, attention and assistance our customers expect from a market leader.

Global sales and service support network		51	Technical centers Technical center, Sales support, Service support, Parts support
4	Corporations	200	Service posts
155	Dealer networks	3	Factories



CUSTOMER SUPPORT AND SERVICES

We're there for you whenever you need us.

We help our customers operate at maximum efficiency by providing them with a range of tried, tested and trusted services - from pre-sales consultancy to post-sales support.



Field services

- On-site service
- Machine installation and testing
- Scheduled preventive maintenance
- Machine repair service



Parts supply

- Supplying a wide range of original DN Solutions spare parts
- Parts repair service



Training

- Programming, machine setup and operation
- Electrical and mechanical maintenance
- Applications engineering



Technical support

- Supports machining methods and technology
- Responds to technical queries
- Provides technical consultancy



dn-solutions.com

Head Office

22F T Tower, 30, Sowol-ro 2-gil
Jung-gu, Seoul, Korea, 04637

Tel: +82-2-6972-0370/0350
Fax: +82-2-6972-0400

DN Solutions America

19A Chapin Road, Pine Brook
New Jersey 07058, United States

Tel: +1-973-618-2500
Fax: +1-973-618-2501

DN Solutions Europe

Emdener Strasse 24, D-41540
Dormagen, Germany

Tel: +49-2133-5067-100
Fax: +49-2133-5067-111

DN Solutions India

No.82, Jakkuar Village
Yelahanka Hobli, Bangalore-560064

Tel: + 91-80-2205-6900
E-mail: india@dncompany.com

DN Solutions China

Room 101,201,301, Building 39 Xinzhuan
Highway No.258 Songjiang District
China Shanghai (201612)

Tel: +86 21-5445-1155
Fax: +86 21-6405-1472

Sales inquiry

sales@dncompany.com

* For more details, please contact DN Solutions.

* Specifications and information contained within this catalogue may be changed without prior notice.