



HIGH PRODUCTIVITY HORIZONTAL
MACHINING CENTER

NHP

4000 • 5000 • 5000S



NHP 4000 • 5000 • 5000S

NHP 4000/5000 horizontal machining centers, with their stable structures, thermal compensation systems and ability to minimize non-cutting time, deliver unrivalled accuracy and productivity. With grease lubrication used for all ballscrews, the machines are also eco-friendly and are the number one choice for manufacturers machining small and medium sized components.





IMPROVED PRODUCTIVITY BY REDUCING NON-CUTTING TIME

- 15000/20000 r/min high speed built-in spindle
- Axis acceleration/deceleration rates of 1G, plus high-speed disc type tool magazine

RELIABLE AND COMPACT MACHINE

- Proven reliability through multi million test cycles
- Grease lubrication prevents coolant contamination
- Three point bed support structure (No foundation work, minimum installation time)

VARIOUS FUNCTIONS ARE APPLIED TO ENSURE HIGH PRECISION

- Spindle thermal compensation system as standard
- Spindle, ballscrew and bearing cooling system as standard

BASIC STRUCTURE

Provides large machining area and three types of table (index, worm/wheel drive, direct drive)

Travel distance (X x Y x Z-axis)

NHP 4000

560 x 640 x 660 mm

22.0 x 25.2 x 26.0 inch

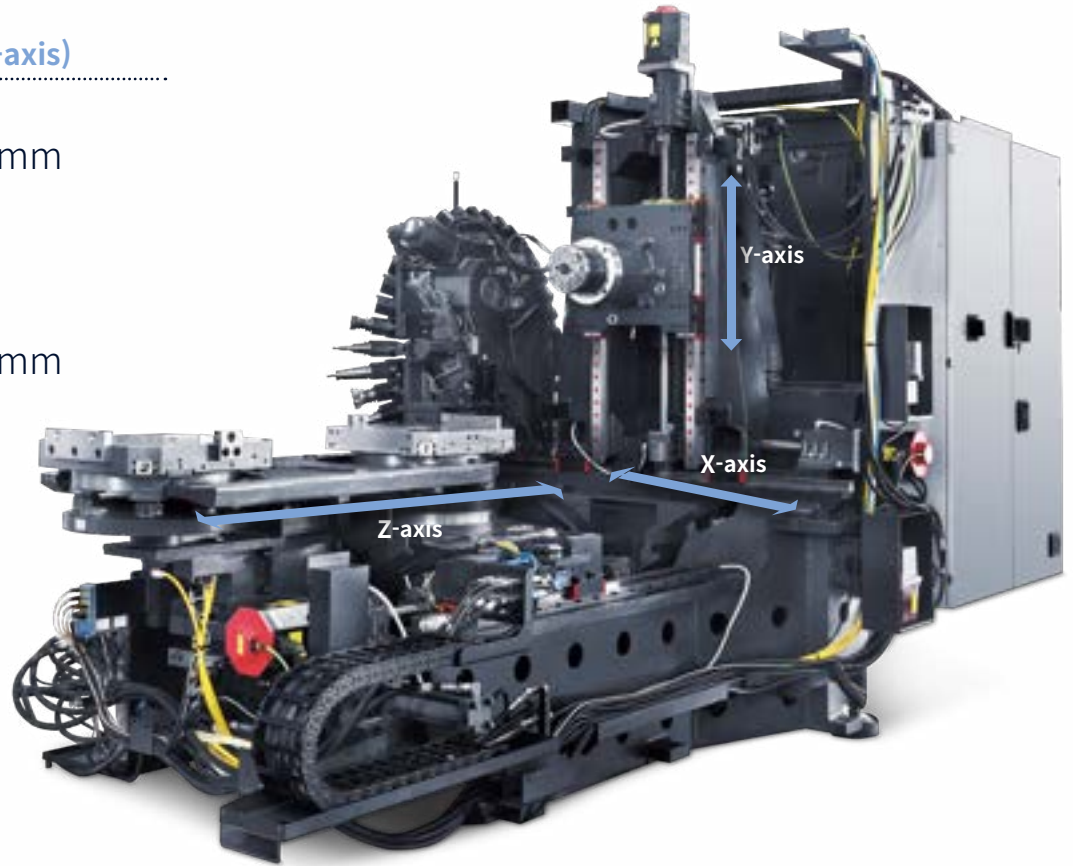
(10% increase over previous model)

NHP 5000

730 x 730 x 880 mm

28.7 x 28.7 x 34.6 inch

(10% increase over previous model)



3-point support bed structure provides stability and stiffness.

Eco-friendly grease lubrication is applied to all axes as standard and high speed servo motors are installed to improve productivity.

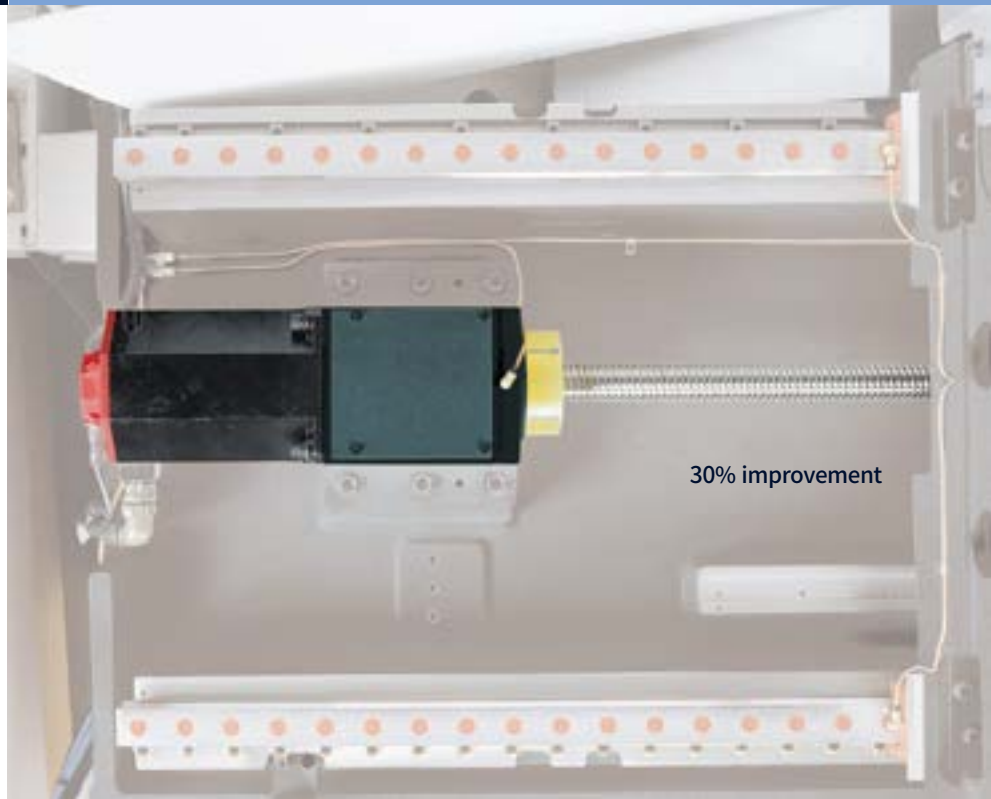
Rapid traverse rate (X / Y / Z-axis)

NHP 4000

1G / 1G / 1G

NHP 5000

0.9G / 0.8G / 0.8G



SPINDLE

High-speed built-in spindle supplied as standard. Benefits include -: noise and vibration reduction, improved accuracies and finishes, longer tool life and increased productivity. In addition, tool change errors are minimized by a tool check analog sensor.



Max. spindle speed

15000 r/min

15000 r/min

20000 r/min

Max. spindle motor power

30 kW 40.2 Hp

37 kW 49.6 Hp

37 kW 49.6 Hp

Max. spindle motor torque

230 N·m 169.7 ft-lbs

303 N·m 223.6 ft-lbs

221 N·m 1633.1 ft-lbs

TABLE

Provides large machining area and three types of table (index, worm/wheel drive, direct drive)

Max. workpiece

NHP 4000

ø630 x H900 mm (A 10% increase over previous model)
24.8 x 35.4 inch

NHP 5000

ø800 x H1000 mm (An 8% increase over previous model)
31.5 x 39.4 inch

Max. workload

NHP 4000

400 kg (881.8 lb)

NHP 5000

500 kg (1102.3 lb)

700 kg (1543.2 lb)



90 degree indexing time

Previous model 1.9 sec

NHP series 1.4 sec ↩ **26** %Improved

CUTTING PERFORMANCE

The NHP Series realizes excellent machining performance thanks to its improved structure and comprehensive tooling system.

Higher cutting power

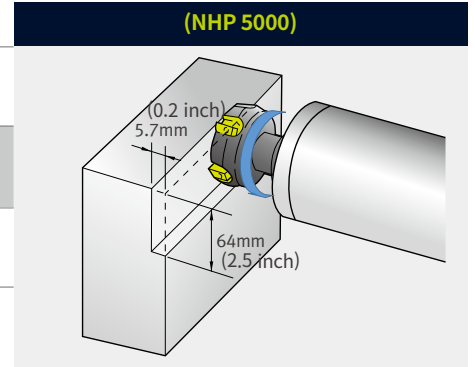
Heavy-duty machining can be carried out with speed and accuracy.

NHP series

Face Mill_Carbon Steel (SM45C) [ø125mm(4.9inch) Face mill (8Z)]

	Machining rate	Spindle speed	Feed rate
NHP series	788 cm ³ /min	1200 r/min	2160 mm/min

* The results presented are provided as an example only. Different cutting and environmental conditions may well give different results.



High productivity

Productivity test

18 % Improved

- Product : Cylinder block
- Material : Aluminum

Cycle time

Previous model	193 sec
NHP series	158 sec ← 35 sec



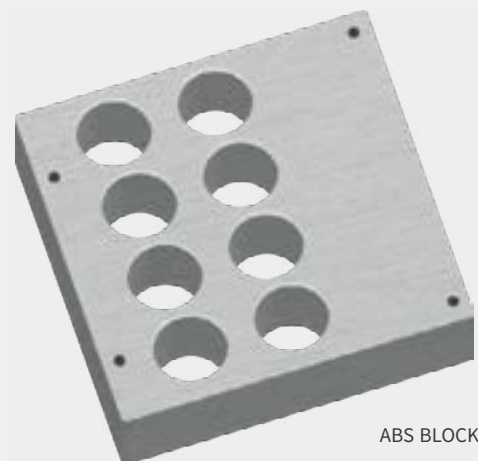
Productivity test

22 % Improved

- Product : ABS block
- Material : Aluminum

Cycle time

Previous model	228 sec
NHP series	178 sec ← 50 sec



ABS BLOCK

* The results presented are provided as an example only. Different cutting and environmental conditions may well give different results.

MAGAZINE

Tool changeover times have been optimized to reduce non-cutting time.



Disk type

40T option

60T

Chain type

80T option

120T option

Matrix type

171T option

275T option

Tool to tool

Previous model 1.0 sec

NHP series 0.9 sec ← **10% Improved**

Chip to chip*

Previous model 3.8 sec

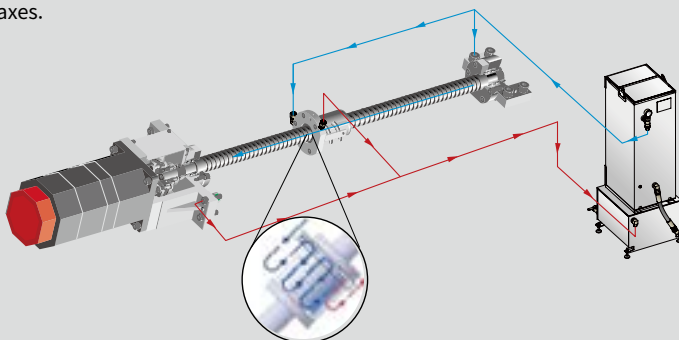
NHP series 2.3 sec ← **30% Improved**

* MAS

High-accuracy options are available to provide stability and precision.

Cooling system

Reduces thermal effects and maintains precision on machine's axes.



Linear scales option

Maintain high precision over long machining runs/operation.



STANDARD | OPTIONAL SPECIFICATIONS

A range of options is available to suit individual requirements.

● Standard ○ Optional X Not applicable

Description	Features		NHP 4000	NHP 5000/S
Spindle	15000 r/min	30/18.5 kW, 230 N·m	●	●
	15000 r/min	37/22 kW, 303 N·m	○	○
	20000 r/min	37/18.5 kW, 221 N·m	○	○
Magazine	Tool storage capacity	40 / 60 / 80 / 120 / 171 / 275 ea	○	○
Tool shank type	BIG PLUS BT40		●	●
	BIG PLUS CAT40/DIN/HSK63A		○	○
Coolant	FLOOD	0.7 MPa (1.1 kW)	●	●
	TSC	2 MPa (2.2kW)	○	○
		3 MPa (3.7 kW)	○	○
		7 MPa (7.5 kW)	○	○
Chip disposal	Chip conveyor	Drum type (Hinged)	○	○
		Drum type (Scraper)	○	○
	Chip bucket	Forklift type	○	○
		Rotation type	○	○
	Air gun		○	○
	Coolant gun		○	○
Precision machining option	Linear scale	X / Y / Z-axis	○	○
	AICC II (200Block)		●	●
	AICC II (600Block)		○	○
	AICC II (1000Block)		○	○
Measurement & automation	Automatic tool measurement	TS27R_RENISHAW	○	○
		RMI-Q_ONLY_RENISHAW	○	○
	Automatic workpiece measurement	RMP60_RENISHAW	○	○
		OMP60_RENISHAW	○	○
Others	LED Work light		●	●
	Signal tower		●	●
	Tool load monitoring		●	●
	EZ Guide i		○	○
	Automatic power off		○	○
Customized special option	Tool ID (matrix)		○	○
	Tool Management (TMT1, TMT2, TMT8 DIGIT)		○	○
	Setup shower coolant		○	○
	Auto door w/Safty edge		○	○
	U-axis drive		○	○
	MQL		○	○
	Smart thermal control		○	○
	Internal chip conveyor		○	○
	Spin window for main door (Electric type)		○	○
	Thru pallet fixture line		○	○
	Servo type yool broken direct		○	○
	Coolant level switch		○	○
APC setup auto indexing **		○	○	

* Please contact DN Solutions to find put more about specifications and options

** Please contact DN Solutions for Information on the NHP 5000/S

PERIPHERAL EQUIPMENT

Chip conveyor



Measurement systems



Grease lubrication system

The standard grease lubrication system eliminates the need for an oil skimmer and reduces lubrication costs by about 65% compared to oil lubrication.

Yearly maintenance cost

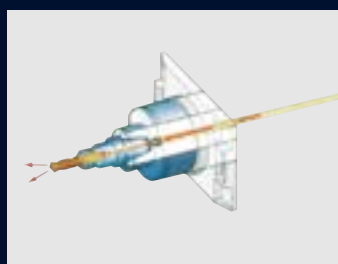
Max. **65%** ↓



Environmentally-friendly equipment



Chip disposal system



DN SOLUTIONS MULTI PALLET SYSTEM

NHP 4000 · 5000 LPS, RPS & Single pallet system

DN Solutions's linear pallet system (LPS), round pallet system (RPS) and single pallet system provide customers with a choice of proven automation solutions.



Features

- An optimized space-saving design - available at a competitive price
- Optimized AGV of Single Mast & Single Fork Structure
- Simple one-piece installation
- Easy retrofitting to DN Solutions horizontal machining centers
- User friendly intuitive way to register basic information for flexible manufacturing

Simplify AGV

15 %
Reduced length

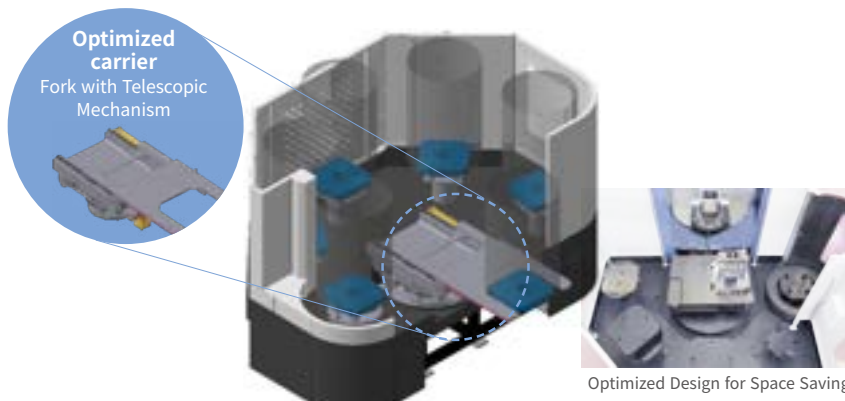
Improved Cycle Time

32 %

Reduced footprint

10.8 %

LINEAR PALLET SYSTEM



Features

- An optimized space-saving design - available at a competitive price
- Telescopic fork-like mechanism LPS II
- Simple installation and easy maintenance
- Easy field retrofit to DN Solutions HMC

ROUND PALLET SYSTEM

DN Solutions linear pallet system (LPS 4000/5000)

LPS 4000/5000 are compact and cost-competitive multi-pallet automation systems designed to deliver high-productivity in a compact footprint. Different pallet sizes are available (400mm x 400mm/ 15.7 inch x 15.7 inch), and (500mm x 500mm/ 19.7 inch x 19.7 inch).

DN Solutions round pallet system (RPS 4000/5000)

This slim, compact multi-pallet system is designed for new 40 taper horizontal machining centres.

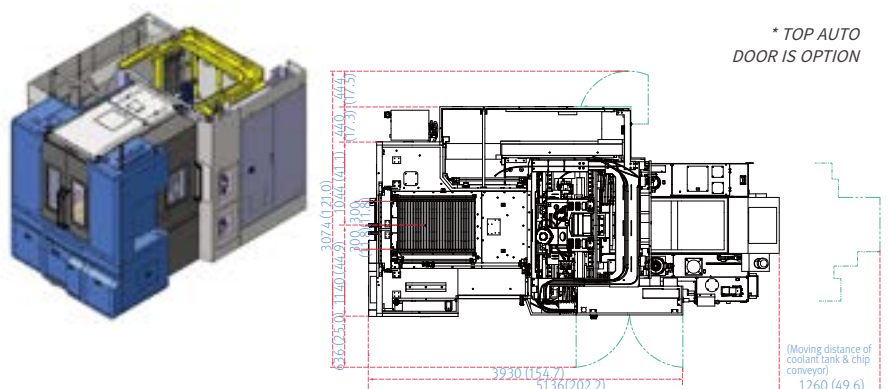
DN Solutions single pallet system (NHP 5000S) option

Single table solution that is compact and easy to use.

External dimensions

Unit : mm (inch)

* TOP AUTO DOOR IS OPTION



SINGLE PALLET SYSTEM

FANUC 31i/32i PLUS

Fanuc 31i/32i Plus maximizes customer productivity and convenience.

15" Touch screen + New OP

DN Solutions Fanuc 31iB/B5 Plus' operation panel enhances operating convenience by incorporating common-design buttons and layout. It features a Qwerty keyboard for fast and easy data input and operation.

Fanuc 31i/32i Plus

- 15-inch color display
- Intuitive and user-friendly design

USB and PCMCIA card QWERTY keyboard

- EZ-Guide i standard
- Ergonomic operator panel
- 4MB Memory
- Hot keys
- Enhance AICC BLOCK
- Touch pen provided as standard



Item



iHMI touchscreen

iHMI provides an intuitive interface that uses a touchscreen for quick and easy operation.

Range of applications

Providing various applications related to planning, machining, improvement and utility, for customer convenience.

NUMERIC CONTROL SPECIFICATIONS

FANUC

	Item	Specifications	F31iB PLUS
			NHP4000/5000
Controlled axis	Controlled axes		4 (X,Y,Z,B)
	Simultaneously controlled axes		4 axes
	Additional controlled Axis	Add 1 Axis (5th Axis)	●
Data input/output	Fast data server		○
	Memory card input/output		●
	USB memory input/output		●
	Large capacity memory(2GB)*2	Note *2) Available Option only with 15" Touch LCD (iHMI Only)	○
Interface function	Embedded Ethernet		●
	Fast Ethernet		○
	Enhanced Embedded Ethernet function		●
Operation	DNC operation	Included in RS232C interface.	●
	DNC operation with memory card		●
Program input	Workpiece coordinate system	G52 - G59	●
	Addition of workpiece coordinate system	G54.1 P1 X 48 (48 pairs)	●
	Tool number command		T4 digits
	Tilted working plane indexing command	G68.2 TWP	○
Feed function	AI contour control I	G5.1 Q_, 40 Blocks	X
	AI contour control II	G5.1 Q_, 200 Blocks	X
	AI contour control II	G5.1 Q_, 600 Blocks	X
	AI contour control II	G5.1 Q_, 1000 Blocks	●
	High smooth TCP		X
Operation Guidance Function	EZ Guidei (Conversational Programming Solution)		●
	iHMI with Machining Cycle EZ Operation package	Note *1) Only with 15" Touch LCD standard	●
Setting and display	CNC screen dual display function		●
Network	FANUC MT Connect		⊕
	FANUC OPC UA		⊕
Others	Display unit	15" color LCD	X
		15" color LCD with Touch Panel	●
	Part program storage size & Number of registerable programs	640M(256KB)_500 programs	X
		1280M(512KB)_1000 programs	X
		2560M(1MB)_1000 programs	X
		5120M(2MB)_1000 programs	X
		10240M(4MB)_1000 programs	●
		20480M(8MB)_1000 programs	○
		2560M(1MB)_2000 programs	○
		5120M(2MB)_4000 programs	○
		10240M(4MB)_4000 programs	○
20480M(8MB)_4000 programs	○		

Network: FANUC MTConnect and FANUC OPC UA available.

● Standard ○ Optional X Not Available ⊕ Available

EZ WORK

The software developed by DN Solutions features numerous functions designed for convenience and ease of operation.

EZ work

The EZ work package delivers speed and efficiency. This menu-driven innovation not only helps customers reduce setup times, but also simplifies common tasks and procedures, reducing the potential for errors. EZ work reduces operating time, protects machinery, enhances quality and speeds up maintenance interventions.

Tool support functions



Tool management I

- Tool magazine control
- Tool state display
- Fastems Tool Add/Remove Function

option



Tool management II option

- Tool magazine control
- Tool life management
- Tool life prediction • Tool state control
- Balluff Tool ID function



Tool load monitor option

- Detection of tool damage
- Detection of abnormalities during operation
- Detection of no-load air cutting

Productivity improvement functions



Adaptive Feed Control

Function to control feedrate so that the cutting can be carried out at a constant load



APC Setting Screen

A simple automation function that supports automatic processing of the next pallet by setting the processing program for each pallet of the equipment including APC in advance



Work Load Control

Optimal machining values can be automatically entered into parameters according to the weight of the workpiece placed on the table



PMC Soft Panel Switch

Manual operations that occur continuously in each stages for APC,ATC change command

Operation support, Help desk functions



Operation rate

- Measure various machine operating rate
- Support 3 shift operation
- calculate and save 30 days operating rate
- Show data for a specific period



Pattern Cycle

A function to automatically create frequently used part programs.



Renishaw GUI

Renishaw tool length measuring and compensate function



Spindle Warm Up

A function that assists spindle warm-up for spindle life when the spindle has not been used for a certain period of time

CONVENIENT OPERATION

Siemens 840D

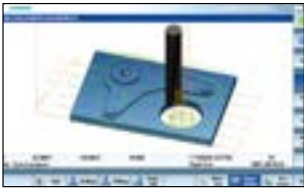
15.6" screen + new operation panel

The newly-designed operation panel improves the customer convenience by incorporating and using common-design buttons and layouts, and includes the familiar QWERTY keyboard for fast and easy operation.

- 15.6" display
- 10MB high capacity user memory
- USB & ethernet (standard)
- QWERTY keyboard (standard)
- High-speed calculation and simulation can be fulfilled by improved processor functionality



Conversational convenient function



Simulation and machining contour monitoring



Smart function



Side screen widget



5-axis kinematic measuring cycles



3D collision avoidance and collision avoidance ECO



Shop mill part programming

NUMERIC CONTROL SPECIFICATIONS

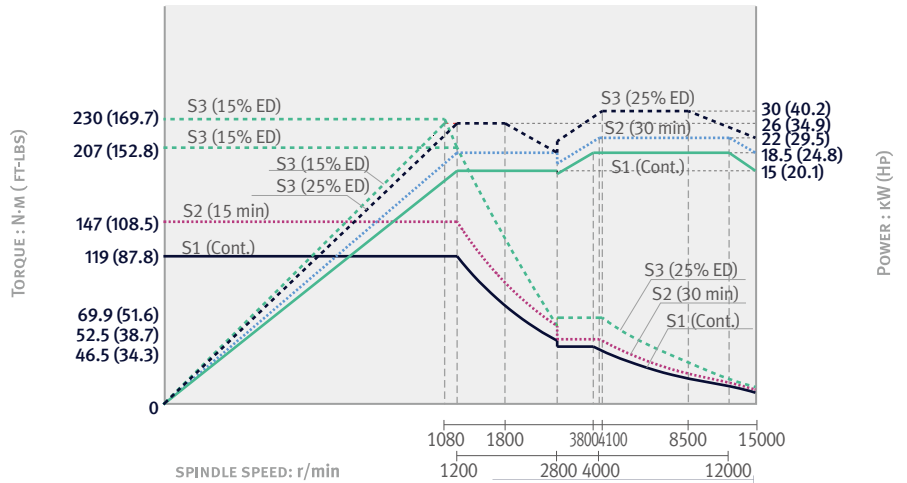
SIEMENS

	Item	Specifications	S840Dsl
			NHP4000/5000
Controlled axis	Controlled axes	5 axes	4축
	Simultaneously controlled axes	5 axes	4축
Data input/output	Memory card input/output	(Local drive)	●
	USB memory input/output		●
Interface function	Ethernet	(X130)	●
Operation	On network drive	(without EES option, Extcall)	●
	On USB storage medium, e.g. memory stick	(without EES option, Extcall)	●
Program input	Workpiece coordinate system	G54 - G57	●
	Addition of workpiece coordinate system	G505 - G599	●
Interpolation & feed function	Advanced surface		●
	Top surface		○
Programming & editing function	Look ahead number of block	S/W version 4.8	1000
	3D simulation, finished part		●
	Simultaneous recording		●
	Measure kinematics		X
Operation guidance function	DXF Reader for PC integrated in SINUMERIK Operate		○
	ShopMill		●
Setting and display	EZ Work		●
	Operation via a VNC viewer		●
Network	MTCConnect		⊕
	OPCUA		○
Etc. function	15.6" color display with touch screen		●
	19" color display without touch screen		○
	21.5" color display with touch screen		○
	CNC user memory	10 MB	●
	Expansion by increments	2 ~ 12 MB	○
	Collision avoidance		○
Collision avoidance ECO (machine, working area)		○	

POWER | TORQUE

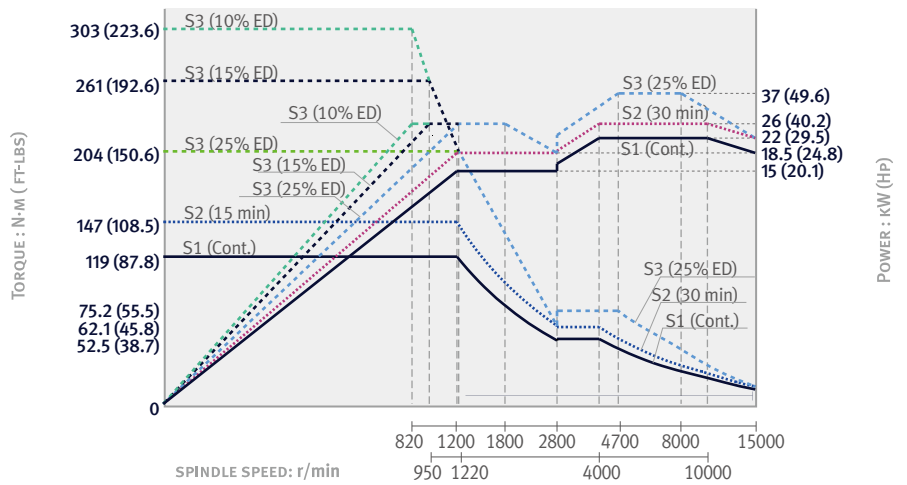
15000 r/min

Power : 30 kW (40.2 Hp)
Torque : 230 N·m (169.7 ft-lbs)



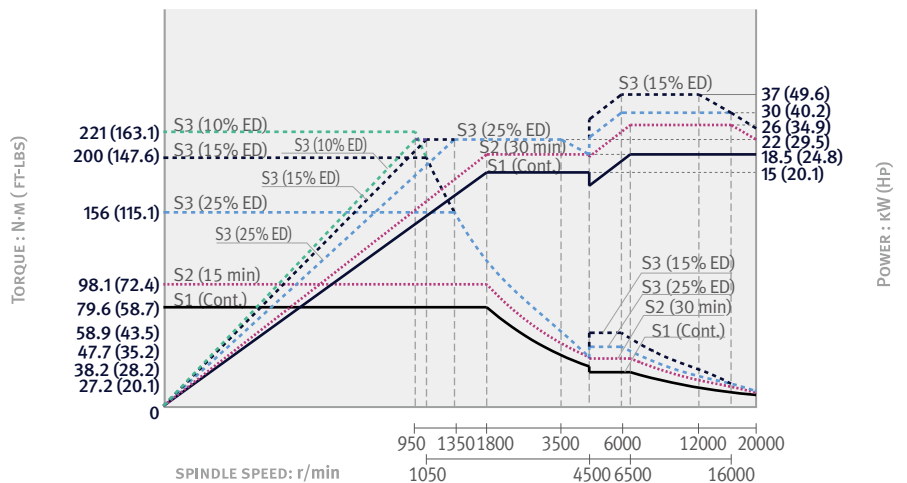
15000 r/min high torque option

Power : 37 kW (49.6 Hp)
Torque : 303 N·m (223.6 ft-lbs)



20000 r/min option

Power : 37 kW (49.6 Hp)
Torque : 221 N·m (163.1 ft-lbs)

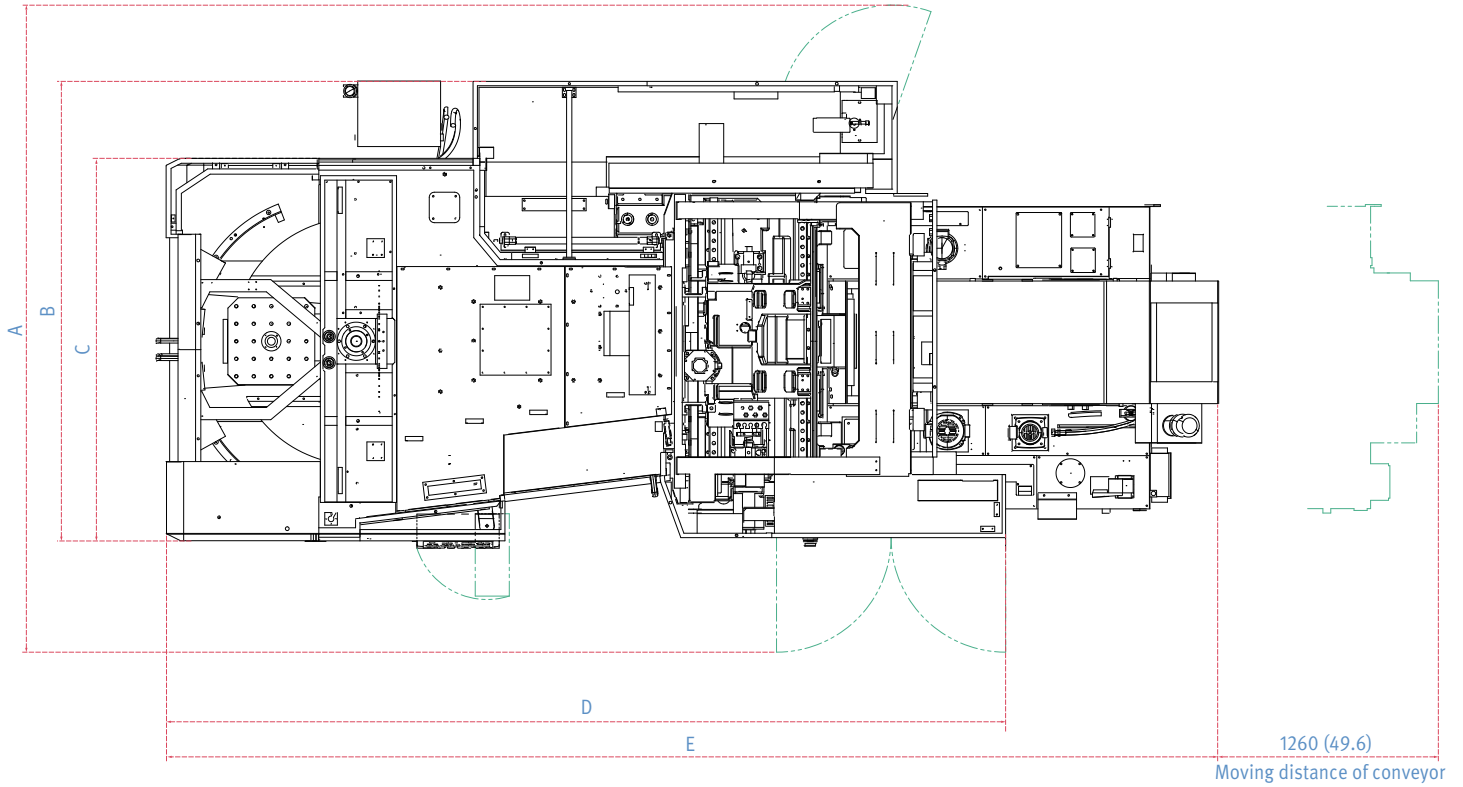


DIMENSIONS

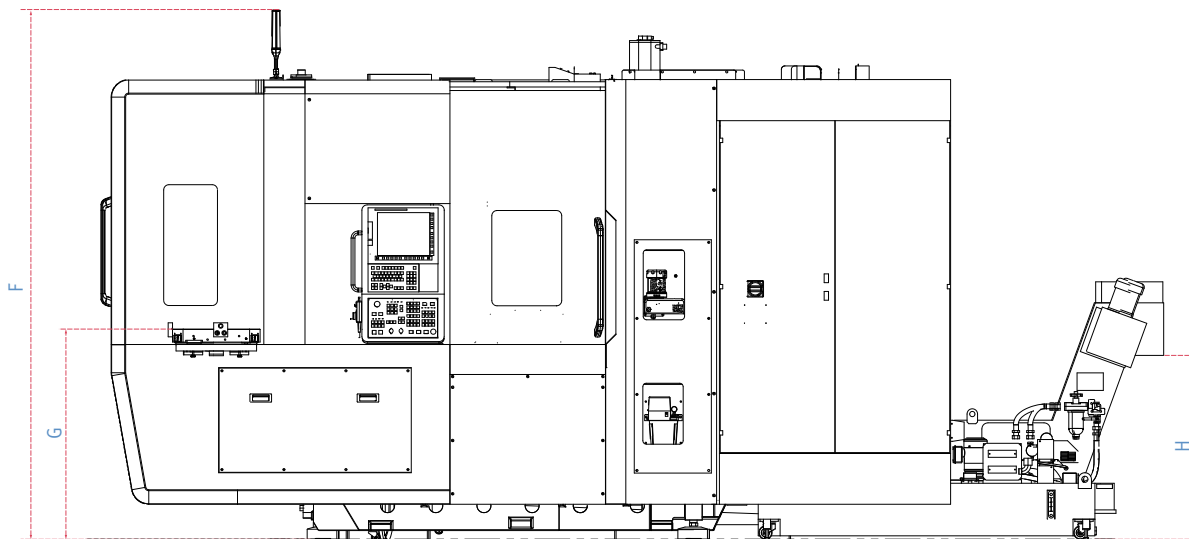
NHP 4000 · 5000

Units : mm (inch)

TOP



FRONT



Model	A	B	C	D	E	F	G	H
NHP 4000	3389 (133.4)	2300 (90.6)	1859 (73.2)	4329 (170.4)	5506 (216.8)	2894 (113.9)	1100 (43.3)	1050 (41.3)
NHP 5000	3694 (145.4)	2680 (105.5)	2184 (86.0)	4792 (188.7)	6001 (236.3)	3024 (119.1)	1200 (47.2)	1050 (41.3)

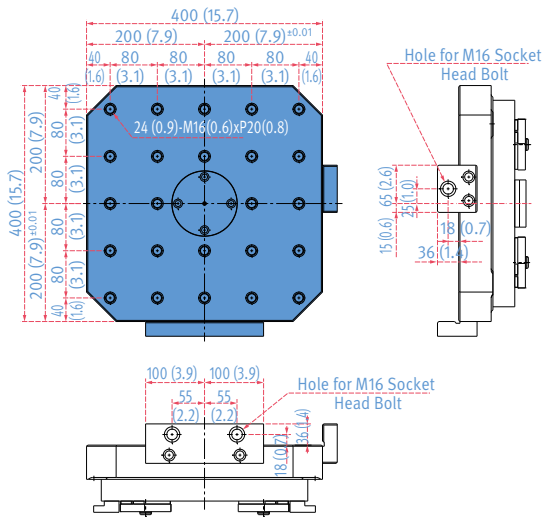
* Some peripheral equipment can be placed in other areas.

PALLET

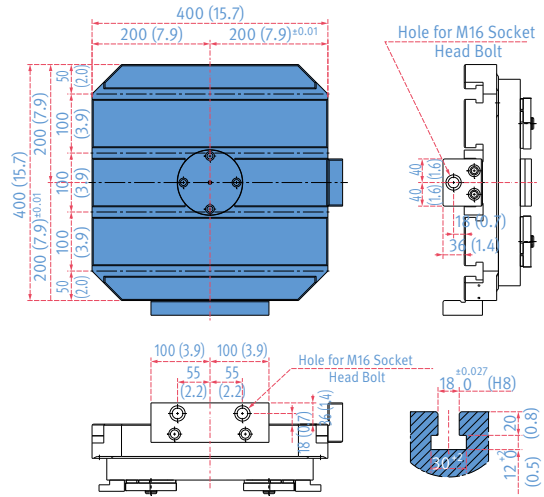
NHP 4000

Units : mm (inch)

TAP PALLET



T-SLOT PALLET

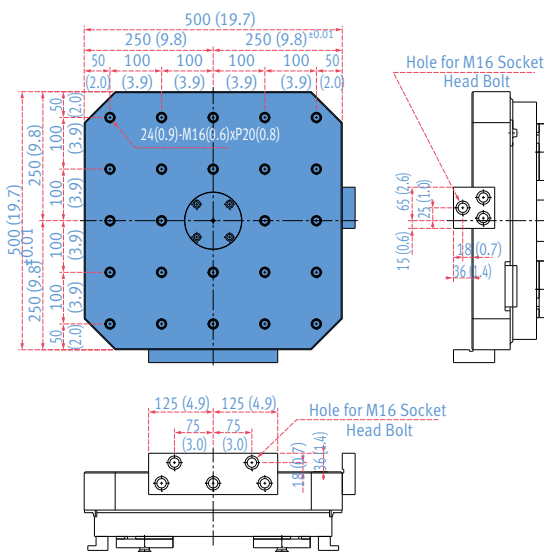


T-SLOT DETAIL

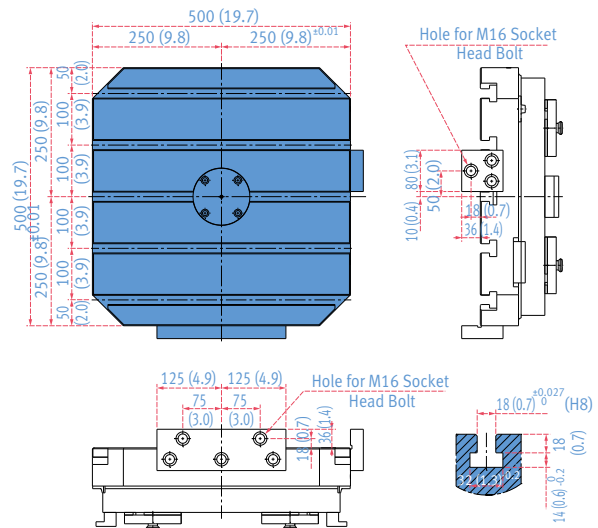
NHP 5000

Units : mm (inch)

TAP PALLET



T-SLOT PALLET



T-SLOT DETAIL

MACHINE SPECIFICATIONS

Description		Unit	NHP 4000	NHP 5000	NHP 5000S
Travel	Travel distance	X-axis	mm (inch)	560 (22.0)	730 (28.7)
		Y-axis	mm (inch)	640 (25.2)	730 (28.7)
		Z-axis	mm (inch)	660 (26.0)	880 (34.6)
	Distance from spindle nose to table top	mm (inch)	80 ~ 720 (3.1 ~ 28.3)	80 ~ 810 (3.1 ~ 31.9)	130 ~ 860 (5.1 ~ 35.4)
	Spindle nose to table center	mm (inch)	80 ~ 740 (3.1 ~ 29.1)	100 ~ 980 (3.9 ~ 38.6)	
Table	Pallet size	mm (inch)	400 x 400 (15.7 x 15.7)	500 x 500 (19.7 x 19.7)	500 x 600 (19.7 x 19.7)
	Workpiece size	mm (inch)	ø630 x 900h (ø24.8 x 35.4h)	ø800 x 1000h ø31.5 x 39.4h)	
	Tool storage capacity	kg (lb)	400 (881.8)	500 (1102.3) {700 (1543.2)}*	
Spindle	Max. spindle speed	r/min	15000 {20000}*		
	Taper	-	ISO #40		
	Spindle power (S3/Cont.)	kW (Hp)	30/18.5 (40.2/24.8) {37/22 (49.6/29.5), 37/18.5 (49.6/24.8)}*		
	Max. spindle torque	N·m (ft-lbs)	230 (169.7) {303, 221 (223.6, 163.1)}*		
Feedrate	Rapid traverse rate	X-axis	m/min (ipm)	60 (2362.2)	
		Y-axis	m/min (ipm)	60 (2362.2)	
		Z-axis	m/min (ipm)	60 (2362.2)	
	Acc./Dec.	X / Y / Z	G	1 / 1 / 1	0.9 / 0.8 / 0.8
Automatic tool changer (ATC)	Type of tool shank	Tool shank	-	BT 40 {CAT 40 / DIN / HSK 63A}*	
		Pull stud	-	PS806 (Modified DIN, DIN 69872 #40)	
	Tool storage capa.	ea	40 {60, 80, 120, 171, 275}*		
	Max. tool diameter	Continuous	mm (inch)	75 (3.0)	
		Without adjacent tools	mm (inch)	170 (6.7)	
	Max. tool length	mm (inch)	450 (17.7)	550 (21.7)	
	Max. tool weight	kg (lb)	12 (26.5)		
	Max. tool moment	N·m (ft-lbs)	11.8 (8.7)		
	Tool change time (Tool-to-tool)	sec	0.9		
Tank capacity	Coolant tank capacity	L (gal)	760 (200.8)		
Machine dimensions	Height	mm (inch)	2690 (105.9)	2880 (113.4)	2880 (113.4)
	Length (/w Chip Conveyor)	mm (inch)	4950 (194.9)	5450 (214.6)	4600 (181.1)
	Width	mm (inch)	2300 (90.6)	2680 (105.5)	2680 (105.5)
	Weight	kg (lb)	9700 (21384.5)	11500 (25352.8)	11500 (25352.8)
Control	NC system	Fanuc 31i/32i Plus {CUFOS, Siemens}*			

*{ } : Option

**Please contact DN Solutions to select NHP 5000S.

The DN Solutions promise, MACHINE GREATNESS, has two important meanings. The first is simple: DN Solutions makes great machines. The second is a challenge to our end-users. With a product line that is this comprehensive, accurate and reliable, we equip our customers to machine greatness. The big question: **Why should you choose DN Solutions over other options?**

Here's why...

MACHINE GREATNESS™



WHAT YOU MAKE AND HOW YOU MAKE IT MATTERS—SO MAKE IT GREAT WITH DN SOLUTIONS.

UNBEATABLE MACHINES

You won't find a more comprehensive range or a better combination of value, performance and reliability anywhere else.

ROBUST PRODUCT LINE

We offer an impressive range of machine models and hundreds of configurations. Whatever your machining needs and requirements, there's a DN Solutions for you.

READILY AVAILABLE - ANYWHERE IN THE WORLD

Machining centres (including 5-axis machines), lathes, multi-tasking turning centres and mill-turn machines, and horizontal borers with best-in-class specifications are all available...ready to install.

EXPERT SERVICE

Our dedicated, experienced and knowledgeable team is totally committed to improving your productivity, growth and success.

RESPONDING TO CUSTOMERS ANYTIME, ANYWHERE

DN Solutions Global Network

DN Solutions provides systems-based professional support services, before and after the machine tool sale, by responding quickly and efficiently to customers. By supplying spare parts, product training, field service and technical support, we provide the expert care, attention and assistance our customers expect from a market leader.

Global sales and service support network		51	Technical centers Technical center, Sales support, Service support, Parts support
4	Corporations	200	Service posts
156	Dealer networks	3	Factories



CUSTOMER SUPPORT AND SERVICES

We're there for you whenever you need us.

We help our customers operate at maximum efficiency by providing them with a range of tried, tested and trusted services - from pre-sales consultancy to post-sales support.



Field services

- On-site service
- Machine installation and testing
- Scheduled preventive maintenance
- Machine repair service



Parts supply

- Supplying a wide range of original DN Solutions spare parts
- Parts repair service



Training

- Programming, machine setup and operation
- Electrical and mechanical maintenance
- Applications engineering



Technical support

- Supports machining methods and technology
- Responds to technical queries
- Provides technical consultancy



dn-solutions.com

Head Office

22F T Tower, 30, Sowol-ro 2-gil
Jung-gu, Seoul, Korea, 04637

Tel: +82-2-6972-0370/0350
Fax: +82-2-6972-0400

DN Solutions America

19A Chapin Road, Pine Brook
New Jersey 07058, United States

Tel: +1-973-618-2500
Fax: +1-973-618-2501

DN Solutions Europe

Emdener Strasse 24, D-41540
Dormagen, Germany

Tel: +49-2133-5067-100
Fax: +49-2133-5067-111

DN Solutions India

No.82, Jakkuar Village
Yelahanka Hobli, Bangalore-560064

Tel: + 91-80-2205-6900
E-mail: india@dncompany.com

DN Solutions China

Room 101,201,301, Building 39 Xinzhuan
Highway No.258 Songjiang District
China Shanghai (201612)

Tel: +86 21-5445-1155
Fax: +86 21-6405-1472

Sales inquiry

sales@dncompany.com

* For more details, please contact DN Solutions.

* Specifications and information contained within this catalogue may be changed without prior notice.